



Doors & Frames





Introduction



Contents

4-6	Frames
7-15	Steel doors
16-17	Timber doors
18-19	Fire rated curtain wall
20	Fire rated access panel
21-22	Bespoke doors
23-24	Finishes

QMI offers standard and customized doors and frames to suit all requirements.

QMI is an ISO 9001:2015, ISO 14001:2015, OHSAS 18001:2007 certified company, specializing in the manufacture of architectural products such as:

- Fire Rated/Non-Fire Rated, Bullet Proof and Blast Resistant Metal Doors, and Bullet Proof Security Windows
- Fire Rated/Non-Fire Rated Acoustic Wood Doors, Wooden Cabinets and Wardrobes
- Fire Rated Curtain Wall Systems and Fire Rated Access Panels

Why QMI is your door manufacturer of choice.

- **Unique Identity** - QMI is well known for its high quality products in and around the gulf region particularly in the UAE, Oman, Saudi Arabia, Bahrain, Kuwait and Qatar. Our bespoke door specifications are developed in-house by a team of experienced design engineers and manufactured in state-of-the-art production facilities to the highest quality standards.
- **Certified Products** - Our finely crafted doors are supplied with numerous hardware options to match all project specifications, and installed by a team of QMI site personnel who are fully trained and experienced in the latest construction procedures. QMI fire rated doors are tested and certified by Intertek, Exvoa-Warringtonfire and BM TRADA. QMI acoustic, bullet proof and blast resistance doors are tested at accredited testing facilities and certified by international certification bodies.
- **Years of Experience** - QMI was founded in the UAE in 2007 with the vision to meet the growing demand for steel and wooden products in the market such as doors, windows, curtain walls, cabinets, wardrobes and access panels. We have produced tens of thousands of doors and frames for many prestigious projects in the MENA region, and employ over 400 employees who continuously serve our clients with the best products.

- **Sustainability** - As a company we promote the sustainability of our environment, regularly monitoring our facilities and processes to comply with environmental standards and regulations. We work to improve the environment by using recyclable and reusable materials during the manufacturing and finishing process, of products that improve the sustainability of buildings through thermal insulation, improving energy efficiency and protecting the climate.

- Recycling of production waste: oil, paper, plastics, fillers, batteries, glue and paint
- Recycling of wooden pallets
- Use of powder coating with 0 VOC content
- Recycling 86.8% of galvanized steel (post-consumer content 51%, post-industrial content 32.5%, home scrap 3.3%).

- **Quality** - we are committed to achieving and maintaining total customer satisfaction by supplying only the highest quality products and services, whilst upholding high ethical standards by:

1. Ensuring that the fabrication, supply and installation of our products are in accordance with customer requirements, delivered to schedule and priced competitively.
2. Continuously improving labor efficiency by investing in training to develop their skill.
3. Providing services in compliance with applicable legal/regulatory requirements.

- **Material** - Our products are manufactured using G90 galvanized steel, zero spangles and a skin-pass surface with a zinc-iron alloy coating, all of which offer a better corrosion resistance than primed cold-rolled steel, and require less surface preparation for painting.

- **Steel Compliance** Our galvanized steel complies with A653/A653M (Standard Specification for Steel Sheet, Zinc-Coated (Galvanized) or Zinc-Iron Alloy-Coated by the Hot-Dip Process).

It also complies with A240/A240M (Standard specification for chromium and chromium-nickel stainless steel plate, sheet and strip for pressure vessels and for general applications). Steel Gauges for quality purpose, our steel gauges exceeds industry standard NAAMM /HMMA 803.



Frames & Edges



QMI manufactures a wide variety of frames with different jamb depths for virtually any wall condition or enter way requirement.

Flush frames

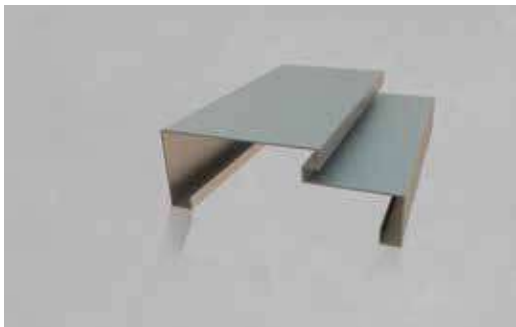
Flush frames are designed to be installed as part of the wall framing sequence for exterior and interior walls of wood stud, steel stud and masonry construction. Frames are manufactured from commercial-quality carbon steel in cold-rolled, A653/A653M galvanized and G90 galvanized steel. Flush frame corners in 16 and 14 gauge may lock together by bending over four integral tabs, and may also be welded and ground smooth.

Multiple use frames

Multiple use frames have a jamb profile similar to drywall frames but are designed to be installed as part of the wall framing sequence. These frames are available in 16 and 14 gauge cold-rolled, A60 galvanized or G90 galvanized steel.

Drywall frames

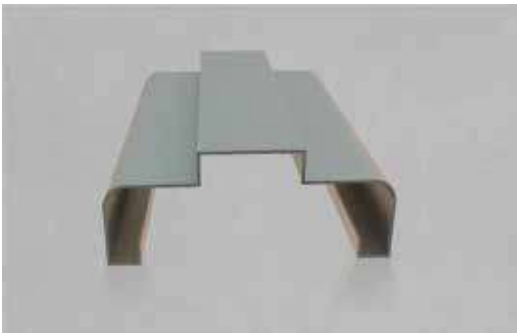
Drywall (DW and K Series) frames are designed to be installed in rough openings after the wall is constructed. They can be installed in minutes and can be relocated without damage to the frame. Drywall frame corners lock together once the frame is assembled. The tab design prohibits the head from raising, and keeps the head and jamb members in the same plane.



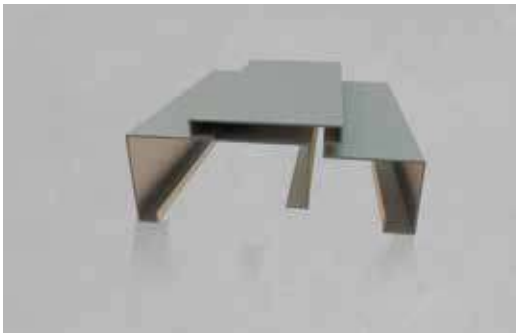
SASR Frame



DR Frame



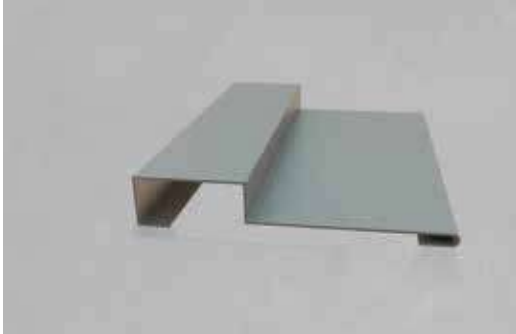
HR Frame



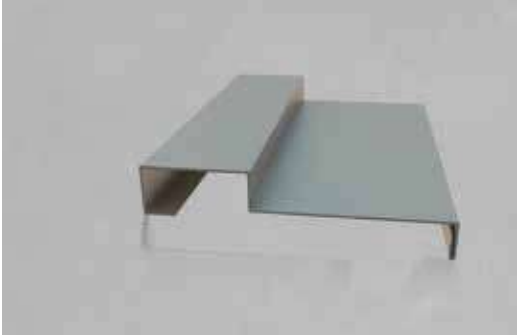
Adjustable - Frame



SRNG Frame



FN Frame



FAN Frame



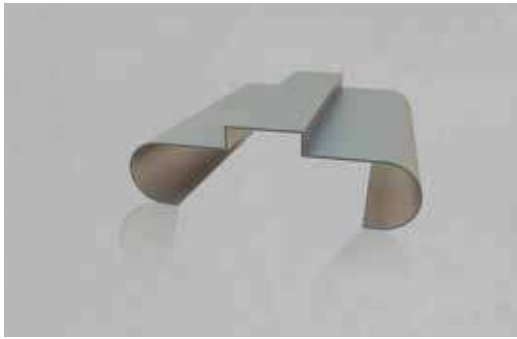
DE Frame



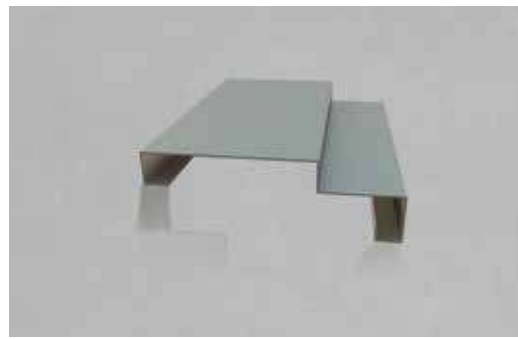
CE Frame



SASR Frame



NR Frame



SAN Frame



DAN Frame



Steel Doors

QMI manufactures a wide variety of steel doors based on project requirements such as:

ECO doors are best applied when practicality and functionality are what your project needs. They are designed for use in ready-made houses, porta cabins, temporary office buildings and medium duty commercial and residential projects.

Shield heavy duty doors are temperature doors, designed to limit the transmission of heat from a fire.

Deco doors combine the beauty of wood with the benefits of fire rated steel. Ideal for areas of medium to high usage.

Silencio doors are designed to reduce sound, helping to keep noise to a minimum. Offering excellent sound attenuation properties, they restrict the normal operating noise levels in and around commercial, industrial and public buildings.

Glass Tech doors With QMI Glass Tech you don't need to sacrifice the element of elegance and beauty for the sake of durability and protection. Glass Tech fire labeled doors, windows and partitions are approved and tested by both Intertek testing services (Warnock Hersey) and Exova-Warringtonfire.

Security doors are a mark of excellence when it comes to theft and loss prevention. QMI designs, manufactures and installs high performance steel doors tailor-made to individual project requirements.

Ballistic doors are one of the latest additions to QMI doors manufacturing innovation. In line with the rise in demand for some markets in the region, which suffers from security disruptions. The application of these doors are best in government buildings and banks.

Inox doors are one of QMI most prestigious doors which symbolize class and elegance combined with the best quality of materials and excellent performance.

ECO Doors

Overview

When your project requires practicality and functionality, Eco doors are what you need. Designed for use in ready-made houses, porta cabins, temporary office buildings, and medium duty commercial and residential applications.

Eco doors are available in single or double panel with frames prepared for installation in masonry, steel or wood construction. Ready-made in standard sizes, the doors are a friendly and cost-effective solution for contractors wanting to reduce on-site labor time and costs.



Features

- Usage: low to medium frequency Usage
- Standard Sizes: single door: W900mm x H2100mm
double door: W1600mm x H2100mm
- Light weight
- Very economical
- Easy to follow installation instructions
- High strength-to-weight ratio



Specifications

- Core: Honeycomb.
- Leaf Sheet Thickness: 1.0mm
- Leaf Thickness: 44mm.
- Frame Sheet Thickness: 1.2mm
- Fire Rating: 120 minutes
- Frame Type: single rebate
- Jamb Depth: 100m
- Finish: polyester powder coating
- Hardware: stainless steel knobset or lockset



Shield Heavy Duty Doors

Overview

Shield HD doors are designed to limit the transmission of heat from a fire.

With a high density wool core, the doors have excellent heat retardation properties, which prevent the temperature of unexposed areas from exceeding 250F, thus allowing sufficient time for people to safely evacuate the area. Suitable for areas where impact resistance is important. The mineral wool infill also increases the acoustic capability of the doors allowing them to reach an acoustic rating up to 42 dB.

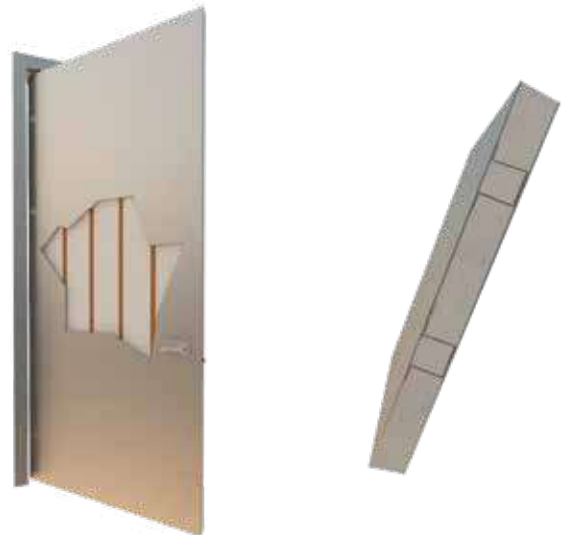


Features

- Usage: heavy duty to extra heavy duty use
- Ideal for areas where impact resistance is important
Such as high security and public facilities
- Acoustic rating of 42dB
- High insulation
- U-value of 1.4W/M²Ko

Specifications

- Optional: flush or with vision panel
- Core: high density mineral wool with vertical steel stiffener
- Leaf Sheet Thickness: 1.5mm
- Leaf Thickness: 44mm - 60mm
- Frame Sheet Thickness: 1.5mm - 2.0mm
- Frame Type: single or double rebate with 150mm to 250mm Jamb Width
- Finish: PPC, PVDF, EPOXY
- Hardware: heavy duty stainless steel
- Fire Rating: up to 240 minutes



DECO Doors

Overview

Deco door offer the strength, security and stability of steel, with the natural appearance of wood. Ideal for areas of medium to high usage, Deco doors are designed with ultra violet (UV) protection and humidity resistance, fire rated for peace of mind, and built to last. A logical replacement for wooden doors.

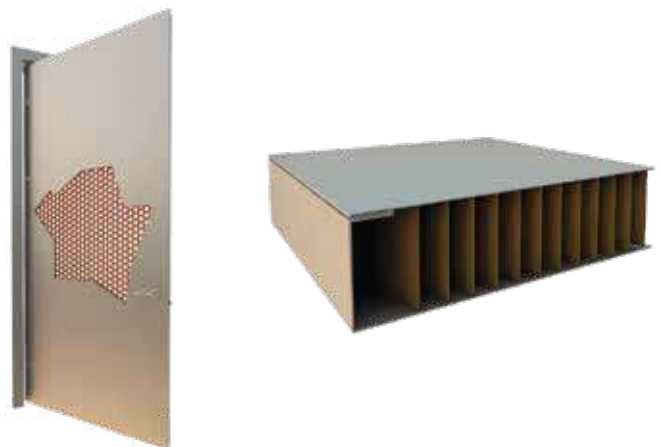


Features

- Usage: medium to heavy duty frequency usage
- Ideal for main entrances, residential buildings, offices and hotel doors with integrated electronic and security locks
- Hardware: heavy duty stainless steel
- Fire Rating: up to 240 minutes
- Economical compared to fire rated wooden doors
- Maintains the natural finish and look of solid wood
- UV and humidity resistance
- Available in more than 60 wood finish patterns
- Can be acoustic with rating up to 42 dB

Specifications

- Optional: flush or with vision panel
- Leaf Sheet Thickness: 1.2mm.
- Core: honeycomb or rockwool
- Leaf Thickness: 44mm
- Frame Sheet Thickness: 1.5mm
- Frame Type: single or double rebate
- Finish: wood effect
- Hardware: heavy duty stainless steel
- Fire Rating: Up to 240 minutes



Silencio Doors

Overview

Silencio doors offer excellent sound attenuation properties to restrict the normal operating noise levels in and around commercial, industrial and public buildings for the privacy and comfort of its occupants.

Whether preserving the confidentiality of discussions in a private office or doctor's surgery, or reducing noise from adjacent rooms in hotels, Siencio doors are designed to reduce sound, helping to keep noise to a minimum.



Features

- Uses heavy duty acoustic seals
- Tested at international acoustic testing agencies.
- Usage: heavy duty frequency
- To be used wherever noise level is of concern such as cinemas, theaters, classrooms, hospitals, media rooms, conference rooms and auditoriums
- High noise deadening properties, from 38dB to 50dB

Specifications

- Frame Type: single or double rebate grooved frame
- Finish: PPC, PVDF, EPOXY
- Hardware: specialty hardware and seals
- Fire Rating: up to 120 minutes
- Flush door & seamless
- Core: specialty acoustic core
- Leaf Sheet Thickness: 1.5mm-2.0mm
- Leaf Thickness: 45mm-60mm
- Frame Sheet Thickness: 1.5mm-2.0mm



Glass Tech Doors

Overview

An attractive glass door system that provides a modern look and feel, to add a touch of class to the building decor, without compromising on fire safety.

Glass Tech can be integrated with many glass types from 5mm to 54mm thick, including fire resistant glass to successfully pass fire test BS 476 up to 3 hours.

This type of glass door, windows and partitions are the perfect choice for malls, offices, hotels, airports, medical and hospitality buildings because of their aesthetically pleasing look and high fire performance.

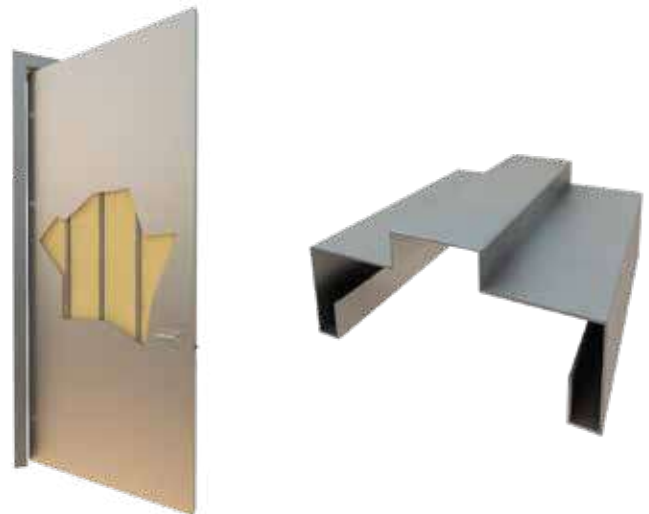


Features

- Perfect for lift lobbies, offices, main entrances, corridor doors, shop fronts, airports and Banks can be provided with Insulated fire rated glass tested as per BS 476 Up to 3 hours fire rating
- Available in stainless steel
- Variety of glass tested and certified By Intertek (Warronck-Hersey) and Exova-Warringtonfire

Specifications

- Core: Rockwool
- Leaf Sheet Thickness: 1.5mm
- Frame Sheet Thickness: 1.5mm
- Frame Type: single or double rebate
- Finish: PC, wood finish, stainless steel
- Hardware: stainless steel knobset, lockset and panic device
- Fire Rating: Up to 2 Hours



Security Doors

Overview

Designed for institutional, commercial and industrial applications QMI manufactures and installs high performance steel doors tailor-made to individual project requirements.

Made to the highest quality standards, QMI security doors combine aesthetics with strength, durability and performance.



Features

- Heavy Duty Multiple Locking System
- Optional Electronic Control
- Certified as per LPS 1175 for Intruder Resistance
- High Strength-to-Weight Ratio
- Ideal for banks, government buildings, military buildings and prisons
- Options: Electronic Locks, Fingerprint Locks, Eye Scan Locks

Specifications

- Core: 12mm steel stiffeners, 100mm apart
- Leaf Sheet Thickness: 2mm
- Frame Sheet Thickness: 2mm
- Frame Type: single or double rebate
- Finish: EPOXY or powder coated
- Hardware: certified multiple point locking system
- Fire Rating: Up to 4 hours



Ballistic Doors

Overview

Ballistic steel doors are one of the latest additions to the QMI portfolio to offer unparalleled protection against a wide range of firearms.

Tested to provide maximum protection, QMI ballistic doors are an essential part of any high security installation for the protection of people, property or assets.



Ballistic Resistance Testing

All testing was conducted on an indoor range at ambient conditions in accordance with instructions and the general provisions of ANSI/UL-752. Testing was conducted at several levels complying to both UL 752 and NIJ standards using different caliber sizes and grains with various velocities as per recommended tested levels.

INOX Doors

Overview

INOX is one of QMI's most prestigious doors that symbolizes class and elegance by combining the highest quality materials with excellent performance. With its futuristic and contemporary designs, it is ideal for high spec architectural environments such as healthcare facilities, chemical plants, sanitations, water treatment plants, airports and hotels.

Offering outstanding levels of performance, INOX doors require little maintenance and are corrosion resistant in moderate to severe environments.



Features

- Usage: medium to heavy duty frequency
- Ideal for airports and hospitals, or any location where a modern design and hygienic products are required
- Available in brush, mirror, satin and etched designs
- Available in grade 304, 316 and 316L
- Futuristic and contemporary designs
- Very high corrosion resistance
- High strength-to-weight ratio

Specifications

- Core: Honeycomb, Rock Wool
- Leaf Sheet Thickness: 1.5mm
- Leaf Thickness: 44mm
- Frame Sheet Thickness: 1.5mm
- Frame Type: single or double rebate
- Finish: Brush, Mirror, Satin and Etched
- Hardware: Heavy duty stainless steel
- Fire Rating: up to 3 hours





Timber Doors

QMI manufactures a wide variety of timber doors based on project requirements such as:

Fire Doors all doors in the QMI portfolio can be fire rated to meet 30 minutes to 120 minutes integrity. They are manufactured and tested to the highest American and British Standards, and certified by the most acknowledged third party certification agencies.

Institutional Doors Manufactured from the toughest materials available, QMI institutional doors are fully cycle and fire tested to American standards, and built to last. Most admired for heavy duty usage, they are ideal for schools, hospitals, airports and other institutional buildings.

Commercial Doors the best choice for residential projects where average traffic is expected. While, our commercial series are solid, attractive, and economical, with customized designs and fast delivery.

Architectural Doors the sky is the limit with these custom made and bespoke wooden doors. Exceeding industry standards for durability, and carrying a lifetime guarantee against warping, these beautifully made doors are perfect for luxury hotels, office towers, healthcare and educational facilities and other government buildings.

French Doors add a dash of elegance to luxury suites, convention centers and private villas with QMI French doors. Manufactured from pure solid wood for maximum durability and finished with a clear, textured or stained glass of your choice.

High Impact Doors the toughest doors available in the market. Our high impact doors best suit detention centers, schools, and high security facilities.

Acoustic Doors Specially constructed doors with sound deadening properties.

Techno Fiber Core Doors made of 100% recycled material and composed of cross linked wood fibers. These doors are guaranteed for life against warping, twisting and bulging. Fully tested to 1,000,000 cycles and fire rated up to 60 minutes, Formaldehyde free and LEED certified.

Acoustic Core made from multiple layers of composite material, particle board and inorganic boards, pressed together to achieve the highest acoustic rating in the market of up to 45dB.

Aesthetic Features

- Glass cladding, antique, opaque or stained
- Marble cladding
- Copper, stainless steel, brass cladding and Inlays.
- Custom stained finish
- Opaque paint, high gloss or matt
- Veneer finish
- Melamine finish

LVL Core Doors

- Engineered wood composed of laminated 4 mm hardwood slabs
- Extremely stable and impact resistant
- Perfect for LEED projects
- FSC certified
- Urea formaldehyde free
- Suitable for high traffic doors

Mineral Core Doors

- Ideal insulating material, for temperature controlled areas
- Nontoxic, noncombustible when exposed to fire, provides fire rating up to 120 minutes.

Custom Paneling

- Variety of certified hardware
- Decorative moldings
- Unlimited choices of stains & veneers modern or classic finishing
- Special wood veneer combinations
- Wide selection of moldings and decorative items
- Recessed or raised panels
- Decorative grooves

Hollow Core Doors

- Solid wood stile and rail with 100% recycled cardboard honeycomb structure
- Highest strength-to-weight ratio. Hollow door construction:
 - 1 Stiles: 38mm X 75mm hardwood (d ≥ 640)
 - 2 Rails: 38mm X 100mm hardwood (d ≥ 640)
 - 3 Craft Honey comb (100% recycled)
 - 4 3mm veneer laminated HDF/MDF/plywood - Total leaf thickness 44 mm



Fire Rated Curtain Wall



Our slim and multi-functional QMI curtain wall systems, with mullion-transom construction and specially tested fireproof glazing, have a proven suitability for 180 minutes of fire protection.

The structures can equally be used for construction over several stories, for curtain walls or as separating structures. The fire protection characteristics of the curtain walls are achieved by construction alone, are tested to the highest American and British standards, and certified by the most acknowledged third party certification agencies.

Design Generosity

Our QMI Fire Rated Curtain Wall System serves your creativity with size, material, finish, colour and design. Through their unrestricted size limitation, narrow profiles, available in steel or stainless steel or powder coated with any RAL or wood finish colour, along with the custom cover caps. QMI's system offers great configuration flexibility to both planner and architect due to the unlimited choice in the sub-structures.

Efficiency

We do not compromise on quality, as our philosophy is the careful management of resources to reduce costs and time. As standard we offer:

- Fully glazed fire rated doors that can be integrated in the curtain wall facade
- Conventional curtain wall systems with no welding requirements
- Mullions and transoms assembled on site

Our systems are manufactured on site in Dubai which enables us to provide high quality products to our clients with a quick turnaround to meet tight deadlines.

Aesthetic Features

- Extremely slender visible sections: rafter and transom 50 mm

The Architecture

- High transparency
- Attractive design
- Multi-functional

Materials

- High resistance capability
- Long lasting and secure
- Shockproof and stable
- Environmentally friendly
- Maintenance friendly

The Processing

- Simple and economic
- High inherent stability frames
- Mechanical pressure plate and cover cap system



Fire Rated Access Panel



Overview

Compact, lightweight and aesthetically designed as a convenient access to fire rated structures. This is common and an essential element for inspection routines within fire compartments for maintenance programs.

An access panel is typically installed during construction, but can also be retro-fitted. When installed, it sits flush with the structure leaving a neat opening around the perimeter and is secured with a key lock.

Features

- Fire Rating: 2 hours
- Fire Rating: 1 hour
- For use in fire rated structures
- Available in many frame type options
- Easy installation
- Custom sizes
- Special locks, latches, and lock preparation
- Stainless steel construction
- Galvanized steel construction
- Gasketing between panel and frame

Specifications

- Door leaf : 1mm G.I. Sheet 30mm thick
- Frame : 1.2mm G.I. sheet straight fully welded
- Door Infill : Honeycomb
- Fire Rating : 2 hours



Bespoke Doors

If you seek beauty, you don't need to compromise on security and durability

uniquely designed and manufactured bespoke doors by QMI.







Finishing

QMI offers a unique powder coated and wood grain finish to maximize durability and minimize environmental effects without compromising on style, color or cost.

Color Range

More than 600 colors available.

Wood Grain Finish

20 wood grain finishes are available, in addition that we can match any wood grain color as per the project requirement.

Mechanical

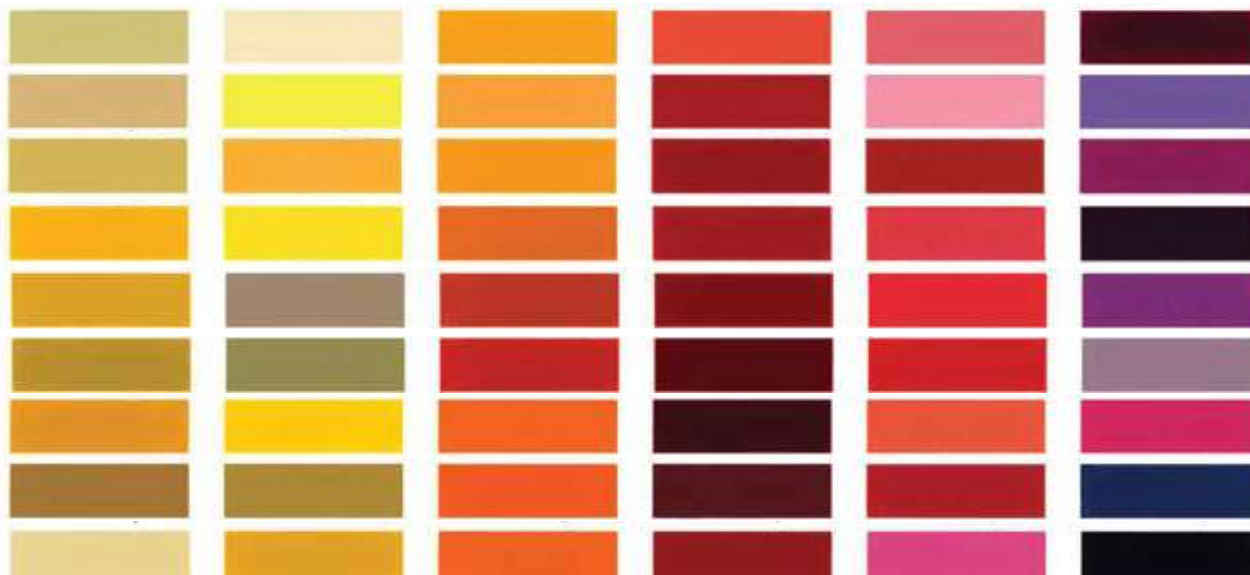
Powder coating produces a coating twice as thick as standard paint, the real advantage is its flexibility and ability to bend and yield with the material it is applied to.

PVDF Coating

PVDF coating (polyvinylidene fluoride) or Kynar® coating is a pure thermoplastic fluoro-polymer that is non-reactive and possesses multiple coating benefits. Kynar coating is a chemical resistant, thick film barrier coating. PVDF is:

- Unaffected by most chemicals, solvents, acids and heat
- Excellent wear and abrasion resistance
- Low density compared to similar fluoropolymers
- High dielectric strength providing excellent resistance to weathering elements in harsh environments.

Color Swatches



Wood Finish Swatches



Film: 2601/401--



Powder: DS 403
Film: 2601/01L



Powder: DS 421
Film: 2601/01L



Powder: DS 0402S
Film: 1406/01L



Powder: DS 403
Film: 1406/01L



Powder: DS 1716S
Film: 1406/01L



Powder: DS 1401
Film: 1406/01L



Powder: DS 402
Film: 1402/02L



Powder: DS 403
Film: 1402/02L



Powder: DS 733
Film: 1402/02L



Powder: DS 0716S
Film: 1403/01L



Powder: DS 739S
Film: 1403/02L



Powder: DS 1401
Film: 1403/05L



Powder: DS 716
Film: 1414/01L



Powder: DS 712
Film: 1414/03L



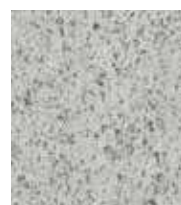
Powder: DS 406
Film: 1414/05L



Powder: DS 733
Film: 2505/01L



Powder: DS 739
Film: 2505/02L



Powder: DS 0708S
Film: 5014/04L



Powder: DS 0408S
Film: 5024/01L

About Allegion

Allegion (NYSE: ALLE) is a global pioneer in safety and security, with leading brands like CISA®, Interflex®, LCN®, Schlage®, SimonsVoss® and Von Duprin®. Focusing on security around the door and adjacent areas, Allegion produces a range of solutions for homes, businesses, schools and other institutions. Allegion is a \$2.4 billion company, with products sold in almost 130 countries.

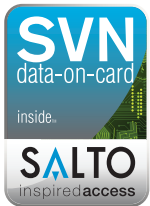
For more, visit www.allegion.com/mea



SALTO Exit Device Solutions | the next generation of standalone locks

SALTO Advanced Panic Bar Solutions enable emergency exit doors equipped with panic bars to be controlled with an innovative standalone electronic locking system.

RIM Panic Device - PBF1100



AVAILABLE

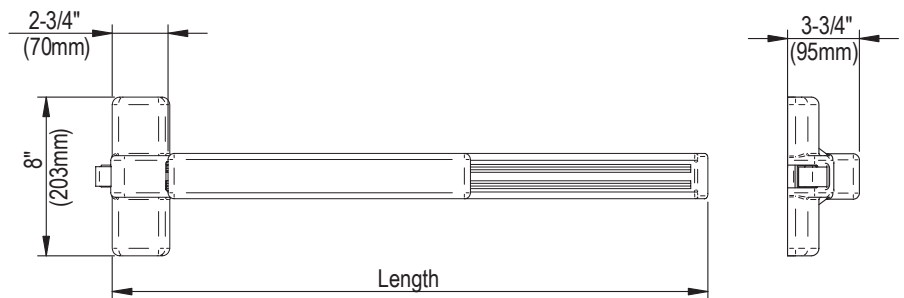
wireless 
IMPLEMENTED



SALTO Panic Bar Solutions RIM Panic Device

SALTO RIM Panic Device Solution is compatible with both SALTO Data-on-Card and SALTO wireless systems, providing full control of the door at all times.

A wire free fully stand alone electronic access control solution, which provides a high technology and cost effective system for emergency exits.



Panic Bar availability



- Length

--> 33 = 33" (838 mm) Standard. For door width from 28" to 36" (from 711 mm to 915 mm)

--> 45 = 45" (1143 mm) Upon request. For door width from 34" to 48" (from 864 mm to 1,220 mm)

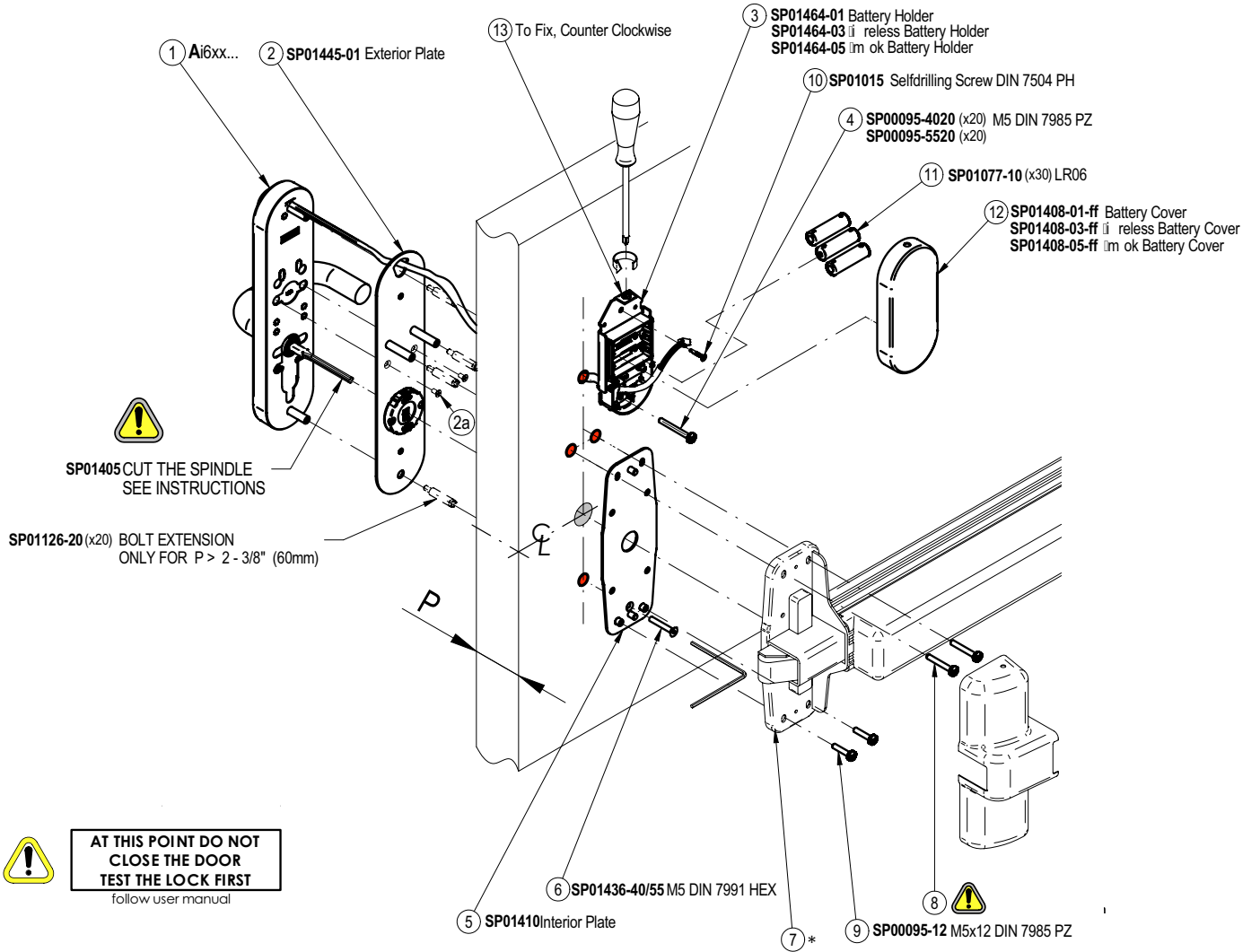
Features



- Non-handed device
- Latch deadlocking
- Strike included
- Fasteners and bolts for wood and metal 1-3/4" to 3-15/16" (45 to 100 mm) door thickness included
- Exit signal when bar is pressed
- IM finish available (satin stainless steel ANSI / BHMA 630, US32D). Contact SALTO for other finishes
- UL / cUL listed for UL305 and ANSI A156.3-2008
- Grade 1 Panic Hardware
- Fire rated 3 hour Fire Exit Hardware, conforms to UL10C and UBC7-2
- Steel case
- Latch bolt: stainless steel 3/4" (19 mm)
- Packaging: 10-5/8" x 5-1/8" x 40-1/8" (270 x 130 x 1020 mm)
- Weight 12.1 lbs (5.49 kgs)
- Same door preparation as Von Duprin 98/99



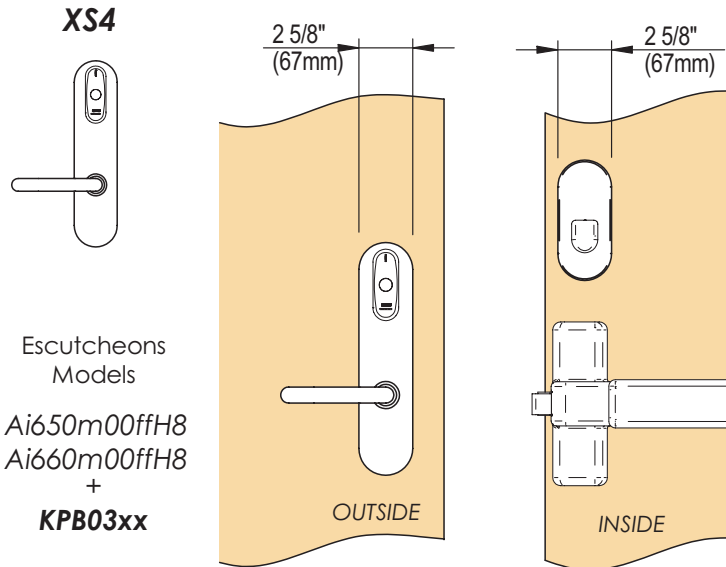
Panic Bar - Single Point



Compatibilities



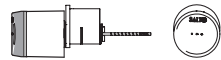
With SALTO XS4 half escutcheon



* Exit detection only with KPB03xxW

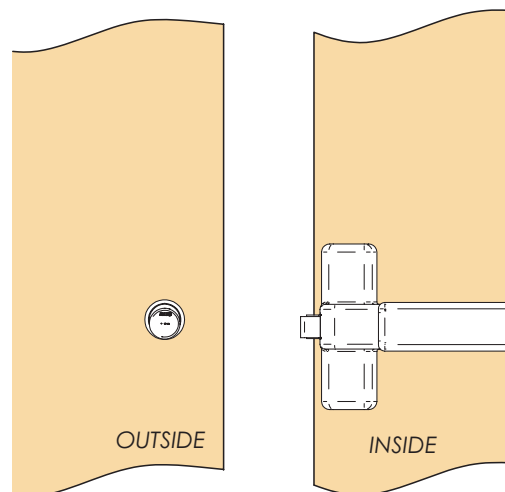
With SALTO GEO RIM Cylinder

GEO CYLINDER



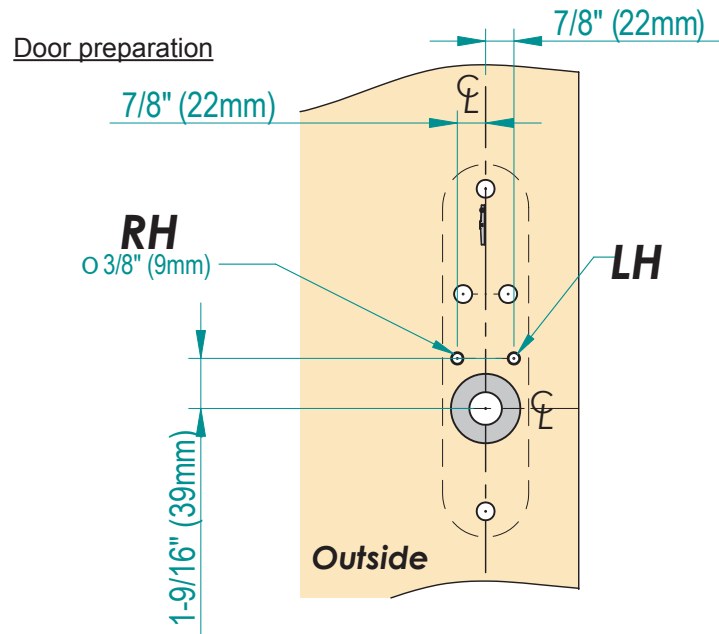
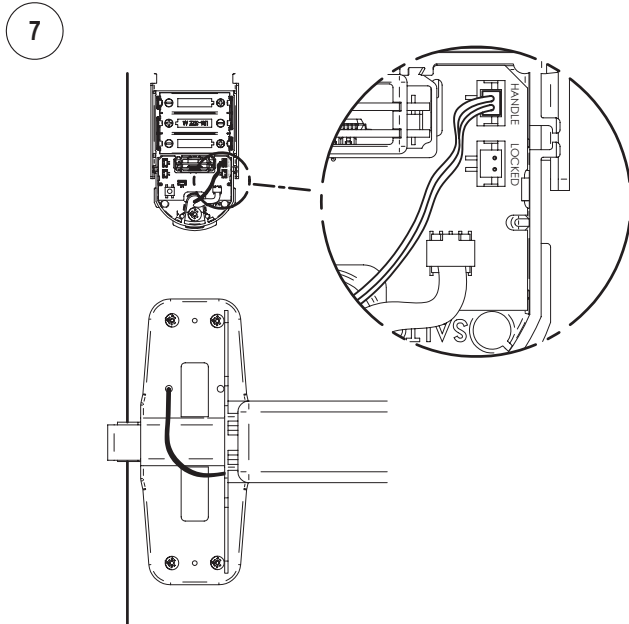
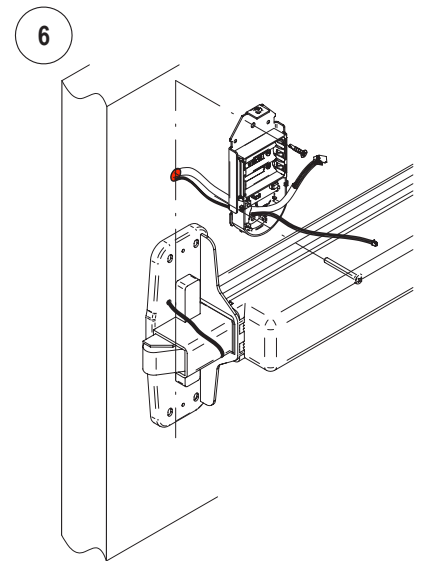
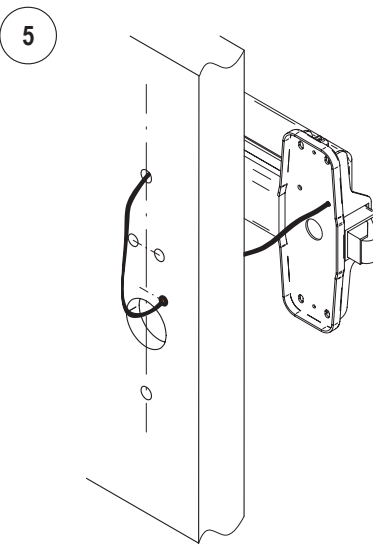
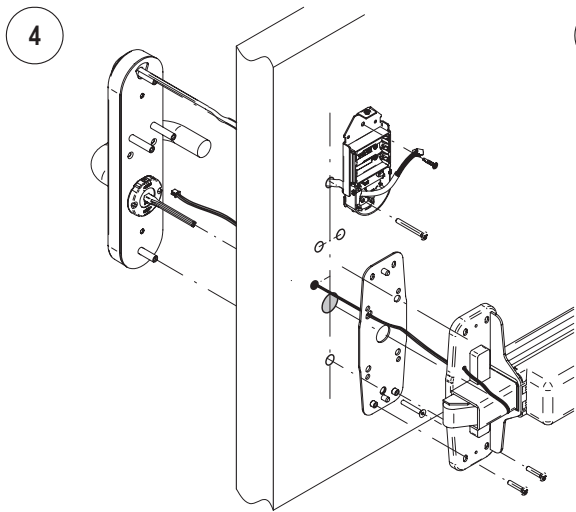
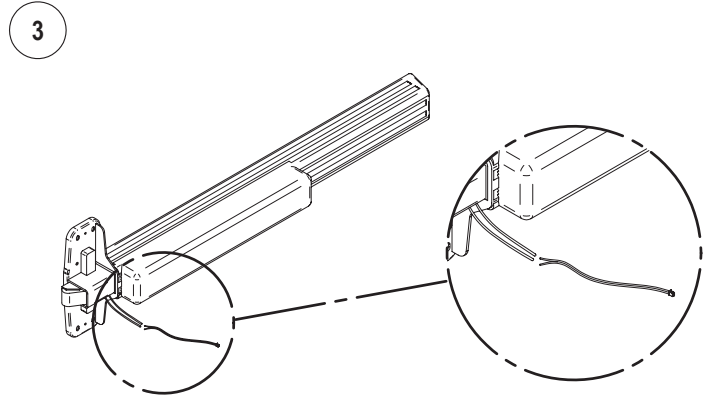
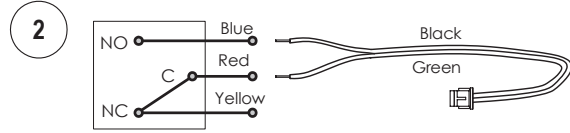
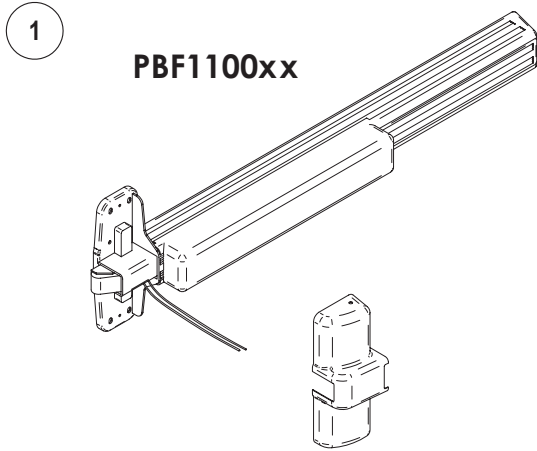
Rim Cylinders

- GiB1100N00ffN (ANSI UNC Screws)
- GiK1100N00ffN (ISO METRIC Screws)

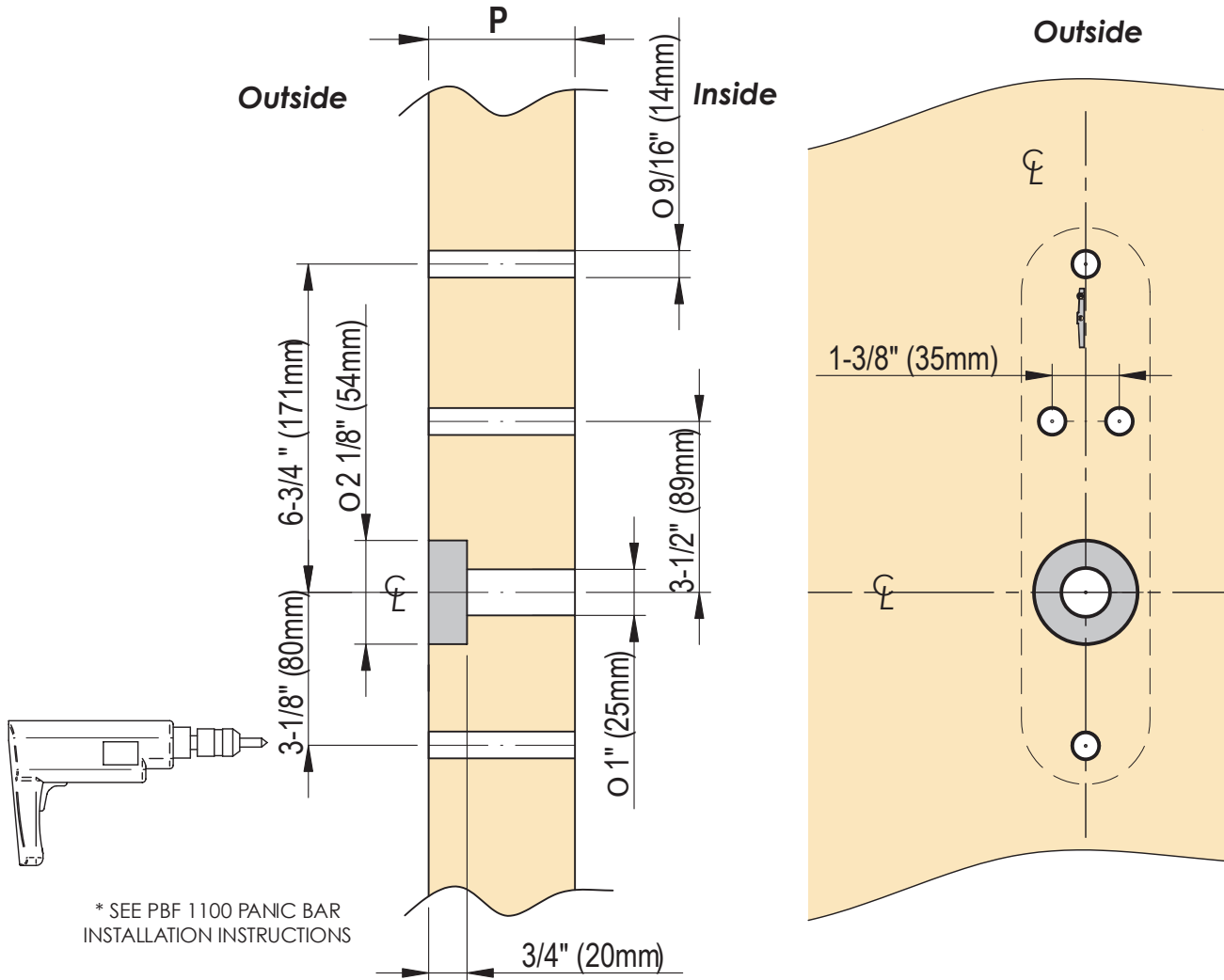


* No exit detection

Installation Guide: Exit Detection Switch



Door Preparation



About the SALTO Ax60 wide body version



The XS4-ANSI versions are specially designed to fit on ANSI mortise locks and tubular latches that need more than 50° handle rotation.

This electronic networked lock is suitable for virtually any kind of door. This stand alone electronic escutcheon works with the high performance data-on-card technology SALTO Virtual Network (SVN) system that allows you to control all the doors in an entire building or group of buildings from a single PC bringing all the benefits of a networked system through the SALTO Virtual Net (SVN).



ID technologies for half escutcheon



MIFARE DESFire

NFC



Range of RFID credentials for half escutcheon



Contact less key cards



Contact less fobs



Contact less bracelets



NFC phones

MIFARE DESFire



MIFARE DESFire

Mifare RFID contactless technology reads & writes information to contactless smart cards (RFID) compatible with ISO 14.443A, ISO 14.443B and ISO 15.693 standards, and as Mifare, Mifare plus, DESFire, DESFireEV1 technologies. They also allow for updating of the carriers via SALTO Virtual Net (SVN) technology.

- 13.56MHz contactless RFID identification.
- ISO 14.443A, ISO 14.443B and ISO 15.693, Mifare, DESFire Compatible.
- Near Field Communication (NFC) compatible.
- Key card available: 1Kbyte, 4Kbytes and 8 Kbytes depending on technology.
- Key shape available: ISO 7810 Cards, fobs, bracelets, stickers, watches...
- Reusable key cards.
- SALTO Virtual Network (SVN) compatible*.
- RFID technology, there's a contactless exchange of information between the card and the reader*.
- High security encrypted Proximity cards.
- Multiapplication with other systems using the same card with different sectors.
- Customized issuing card through the SALTO Authorization Media software (SAM).
- Waterproof cards which can be customized.

* depending on the programming mode

HID iCLASS®



iCLASS® contactless technology from HID is R&W identification technology based on 13.56 MHz read/write contactless smart card technology. iCLASS® offers enhanced security through encryption. This single-card, contactless solution permits multiapplication with others systems, and with the SVN capabilities, you will acquire a lot of interesting new features for your property access control.

- 13.56MHz contactless RFID identification.
- ISO 14.443B2 standard compliant. ISO 15.693 standard compliant.
- Reusable key cards.
- SALTO Virtual Network (SVN) compatible.
- Read & Write technology, there's a contact less exchange of information between the card and the reader.
- High security, by using password and encrypted Proximity cards.
- Multiapplication with other systems using the same card through shared pages.
- Customized issuing card through the SALTO Authorization Media software (SAM).
- Waterproof cards which can be customized.



Access Control Features



	Selfprogrammable System	ROM System	R&W System
Maximum number of users per door	1000	1000	4000000
Maximum number of doors per system	1000	16000	64000
Maximum events on lock audit	1000	1000	1000
Time zones	1000	30	256
Time periods	1000	20	256
Calendars in system	1000	4	256
User groups	1000	unlimited	unlimited
Zones in system	1000	unlimited	unlimited
Management software	Programing key & user key sets	ProAccess ROM	ProAccess HAMS (available SQL)

Platform features



- Completely integrated in the SALTO Systems platform.
- Enables users to have standalone electronic cylinders, standalone electronic locks, standalone electronic glass door locks (SALTO wireless compatible), emergency exit devices (SALTO wireless compatible), locker locks and IP based on-line readers, all in the same system with SALTO Virtual Network capabilities, making it possible to update user card access plans flexibly.



▶ Opening models



- **Standard** (locked at all times).
- **Office** (free passage ability).
- **Timed Office** (free passage with automatic locking).
- **Automatic opening** (8 pairs of "hands free" timed lock and unlocks per day with holidays).
- **Automatic Opening + Office**.
- **Toggle** (present card to lock, present card to unlock).
- **Timed toggle** (automatic locking at end time).
- **AMOK mode** (local lockdown of the escutcheon for emergency situations)

▶ Handles for half escutcheon



REF. Y

(May be installed on the external escutcheon when combined with a roller shutter)



REF. A



REF. S



REF. H



REF. C



REF. G



REF. W



REF. N



REF. L



REF. J



REF. T



REF. O



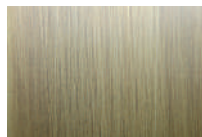
▶ Finishes



Satin stainless steel
IM



Polished stainless steel
IP



Antique brass
IA



Black



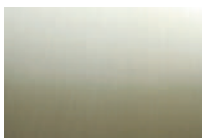
White



RAL Coloured upon request



Satin brass (PVD)
PM



Polished brass (PVD)
PP



BioCote antimicrobial
BC



BioCote: Microbes, e.g. Bacteria, mould and fungi, are found in every environment and are a natural part of everyday life. Even in the cleanest of surroundings microbes can multiply on surfaces. BioCote is incorporated at the time of manufacture in the products and will inhibit the growth of microbes that can cause unpleasant odours and deterioration of the product.

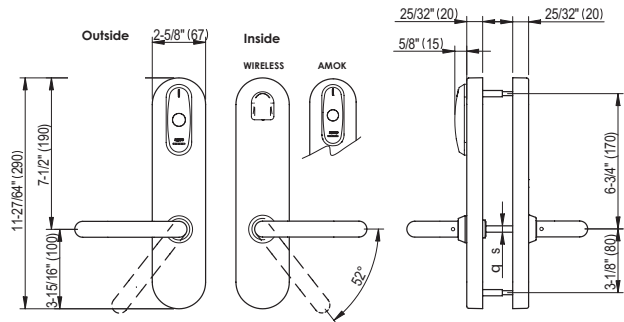


▶ Models available



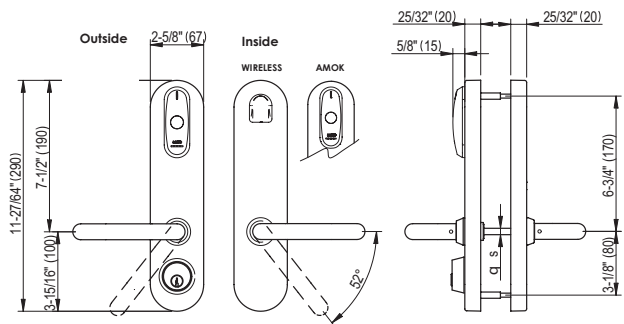
Model 50

- 2 handles any type
- keypad option compatible



Model 60

- 2 handles any type
- Built-in mechanical override with audit.
- keypad option compatible



▶ Wireless capabilities



- Wireless Radio Frequency based on IEEE 802.15.4 at 2,4Ghz.. AES 128bits encryption.
- Managed through Pro Access, HAMS SQL Software.
- SALTO Virtual Network technology backup. The escutcheon will continue working, granting access control via SVN technology backup if the wireless network fails or the PC is disconnected*.
- Real time audit trail: access granted, access denied, card expired.
- Real time door control: View door status in real-time.
- Real time battery control: Monitor battery maintenance by viewing the lock battery status in real time.
- Key management: Resolved in real time as the locks receive cancelled key updates as soon as they are generated.
- 1000 event audit trail back up if contact with the PC is lost.

SALTO Systems Inc | 3073 McCall Drive - Suite 1 | 30340 Atlanta, GA | USA | Phone: 770-452-6091 | info@salto.us

SALTO Systems Inc | 1847 Perrot Blvd., Ste 400 | Notre-Dame-de-l'Île-Perrot | Canada J7V 7P2 | Phone: 514-616-2586 | info@saltosystems.ca

SALTO Systems | Bonampak 77 Ste. 205 | Q. Roo 77500 | Mexico | Phone: +52 998 892 8752 | info.mexico@salto.us



Salto International

SALTO Systems SPAIN HQ, Oiartzun
 SALTO Systems UK, Banbury
 SALTO Systems GERMANY, Gevelsberg
 SALTO Systems FRANCE, Paris
 SALTO Systems NETHERLANDS, Amsterdam
 SALTO Systems BELGIUM, Brussels
 SALTO Systems POLAND, Warsaw
 SALTO Systems ITALY, Milan
 SALTO Systems DENMARK, Kalundborg
 SALTO Systems NORWAY, Oslo

SALTO Systems FINLAND, Helsinki
 Evvasalto SWEDEN, Stockholm
 SALTO Systems PORTUGAL, Oporto
 SALTO Systems USA, Atlanta
 SALTO Systems CANADA, Montreal
 SALTO Systems MEXICO, Cancun
 SALTO Systems AUSTRALIA, Sydney - Melbourne
 SALTO Systems MIDDLE EAST, Dubai
 SALTO Systems ASIA, Singapore



DATASHEET

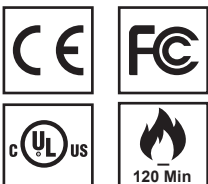
Ælement by SALTO

The Ælement ANSI version is specially designed to fit on most ANSI A 156.13 doors. The minimalistic design of the RFID reader looks stylish and discreet on any door. It also offers the choice of a wide range of designs and finishes

www.saltosystems.com

TECHNICAL SPECIFICATION: Ælement - ANSI (ÆExx)

SALTO
inspired access



TECHNICAL DATA:

Reader dimensions (W x H x D):	45,0 x 67,0 x 17,5 mm 1-25/32" x 2-5/8" x 11/16"
Battery pack dimensions (W x H x D):	65,0 x 116,0 x 25,5 mm 2-9/16" x 4-9/16" x 1"
Handle rotation:	52° (LA1Tx7 mortise lock)
Door thicknesses:	45mm - 125mm
Square spindles:	8mm split (SALTO spindles required).
Power source:	3 alkaline batteries - LR03 - AAA 1,5V.
Number of openings:	50 000 MIFARE DESFire 45 000 Mobile keys
Temperature (without condensation):	0 °C / +60 °C.
IP class:	Not suitable for outdoor use.
Certifications:	CE, FCC/IC, RCM, UL10C 90 min, EN1634 EI60

ID TECHNOLOGIES:

MIFARE:*	•
BLE Smart:	•
NFC:	•
Legic:**	—
HID iClass®:	•
Picopass:	—
Hilton digital key	•
i-Button:	—

* MIFARE® (DESFire EV2, Plus, Ultralight C, Classic - ISO/IEC 14443).
** Legic Prime and Legic Advant

FINISHES:

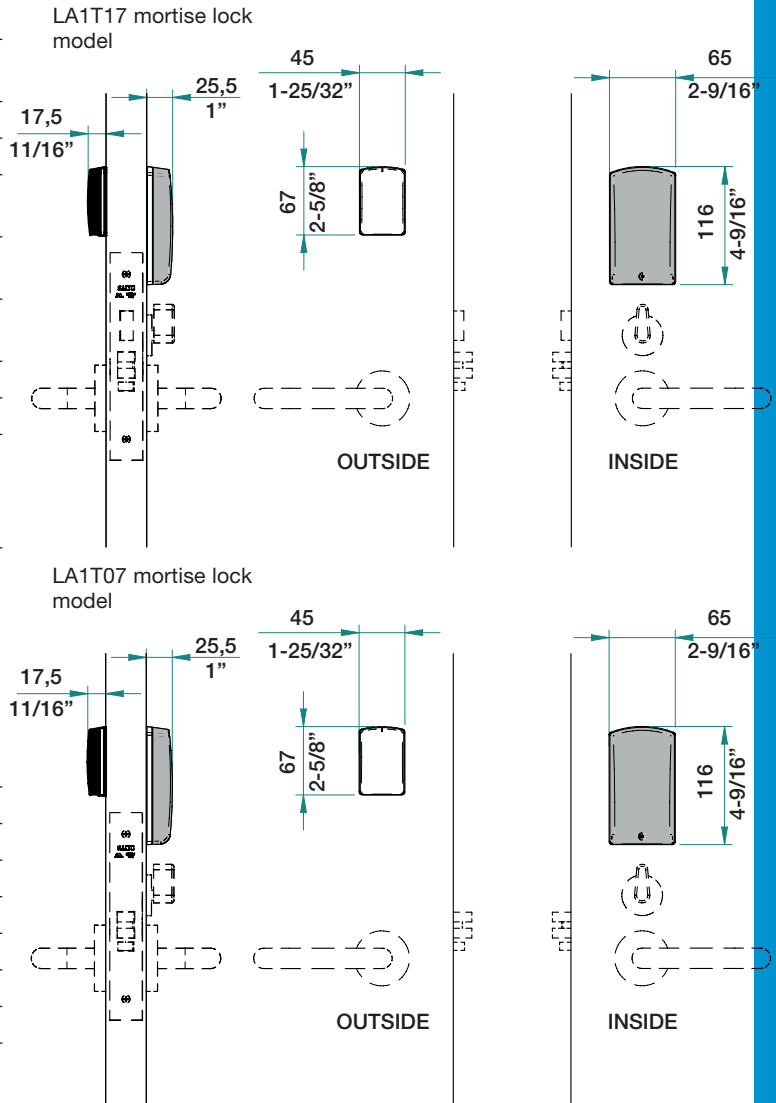
Reader colour:

Black:	•
White:	•

Finish:

IM Satin stainless steel:	• BHMA 630 / US 32D
IP Bright stainless steel:	• BHMA 625 / US 26
IA Antique brass:	• BHMA 735 / US 3
PP PVD bright brass type:	• BHMA 729 / US 4
PM PVD satin brass type:	• BHMA 730 / BHMA 731 / US4
NE Black chromium:	• BHMA 685
BC BioCote anti-microbial:	—

TECHNICAL DRAWING:



TECHNOLOGY PLATFORMS:

SALTO SPACE:

Smile - Selfprogrammable	—
ROM:	—
SVN data-on-card:	•
SALTO RFnet:	• *
SALTO BLUEnet:	• *

SALTO KS:

SALTO KS	—
----------	---

SALLIS:

SALLIS	• *
--------	-----

* Depending on the model

MECHANICAL DATA:

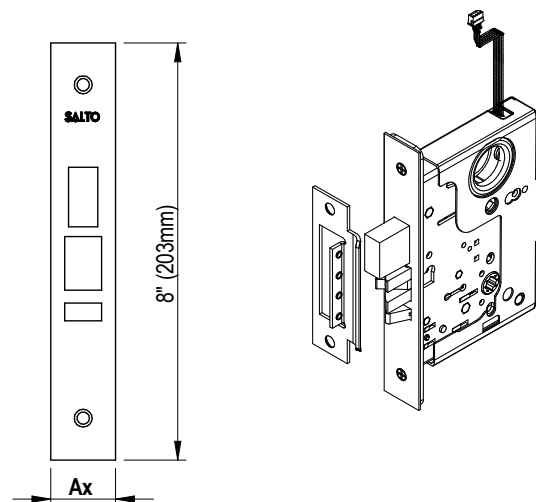
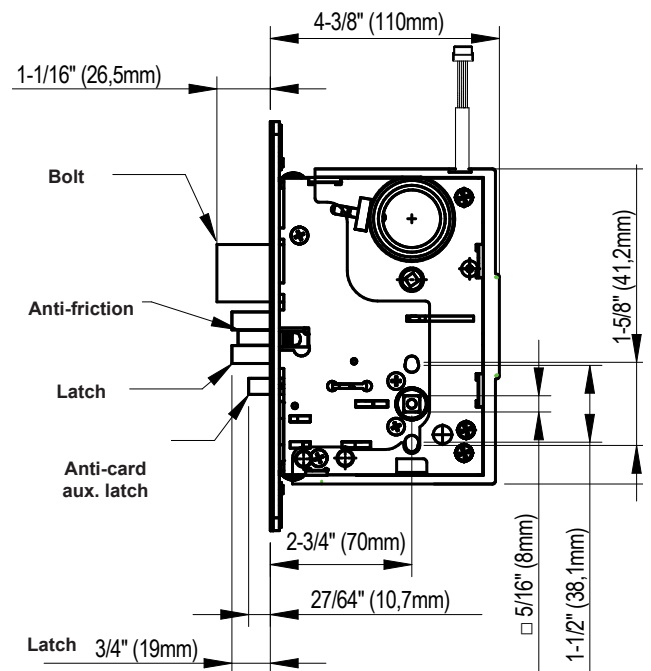
Handle block mechanism lock:	•
Mechanical privacy:	•
Mechanical key override:	•
Compatible with SALTO ANSI mortise lock standard.	• SALTO LA1T07 • SALTO LA1T17
Reversible:	•
Door Accessories:	• Door handles and accessories.
Retrofit cover plate:	– New construction wood and metal doors.
Emergency opening via contactless Portable Programming Device (PPD).	•

MORTISE LOCK (LA1T17):

Mortise lock type:	Grade 1 ANSI mortise lock
Faceplate dimensions (H x W):	203mm (8") x 32mm (1-1/4") 203mm (8") x 27mm (1-1/16")
Faceplate shape	Squared
Handle rotation:	54°
Square spindles:	8mm (5/16")
Lock case material:	Stamped steel 3/32" zinc dichromate finish.
Latch material:	Stainless steel with antifriction latch 3/4" throw.
Deadbolt material:	Stainless steel full 1" throw.
Latch handing:	Reversible.
Auxiliary latch (anticard):	27/64" throw Effective deadlocking 3/8"
Built in detectors	Door detector
Mortise cylinder compatibility:	1-1/8"
Front plate finish:	Satin stainless steel. Satin brass (PVD).
Mechanical key override:	•
Anti-panic safety function:	•
Auxiliary latch (anti card system)	•
Intelligent integrated door detector	•
Handle detector	•
Privacy detector	•
Override detector	•
Opened and closed status of doors through SALTO Wireless technology.	•
Certifications:	UL listed 90min. In line with ANSI/BHMA A 156.13 Grade 1 compliant for heavy commercial, institutional and industrial use

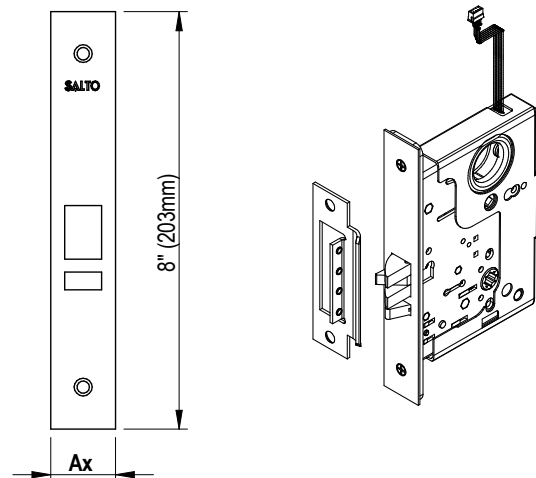
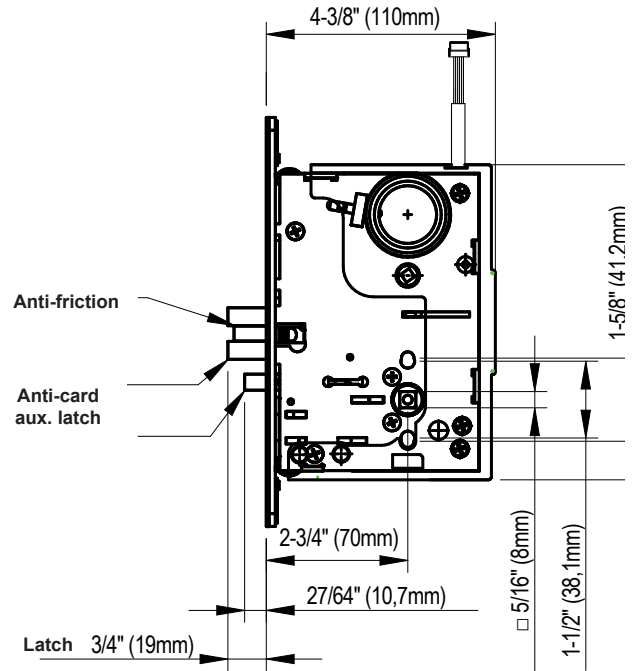
OPENING MODES:

Standard:	•
Office mode:	•
Timed office:	•
Automatic opening:	•
Toggle:	•
Timed Toggle:	•
Amok mode:	–
Exit leaves open mode:	•
Pin code / Keypad:	–



MORTISE LOCK (LA1T07):

Mortise lock type:	Grade 1 ANSI mortise lock
Faceplate dimensions (H x W):	203mm (8") x 32mm (1-1/4") 203mm (8") x 27mm (1-1/16")
Faceplate shape	Squared
Handle rotation:	54°
Square spindles:	8mm (5/16")
Lock case material:	Stamped steel 3/32" zinc dichromate finish.
Latch material:	Stainless steel with antifriction lachth 3/4" throw.
Deadbolt material:	No deadbolt
Latch handing:	Reversible.
Auxiliary latch (anticard):	27/64" throw Effective deadlocking 3/8"
Built in detectors	Door detector
Mortise cylinder compatibility:	1-1/8"
Front plate finish:	Satin stainless steel. Satin brass (PVD).
Mechanical key override:	•
Anti-panic safety function:	•
Auxiliary latch (anti card system)	•
Intelligent integrated door detector	•
Handle detector	•
Privacy detector	•
Override detector	•
Opened and closed status of doors through SALTO Wireless technology.	•
Certifications:	UL listed 90min. In line with ANSI/BHMA A 156.13 Grade 1 compliant for heavy commercial, institutional and industrial use



//DATASHEET

SALTO Carriers | Contactless RFID:

SALTO carriers are available in a wide range of versions to suit user's individual needs. Whatever carrier you choose, all work effortlessly and include Contactless Proximity and i-Button technologies. All carriers are easy-to-use, and are SALTO Virtual Network (SVN) compatible

CARRIERS ID TECHNOLOGIES

SALTO
inspiredaccess



**MIFARE DESFire
Ultralight C**

LEGIC
Innovation in ID technology
advant



SALTO CARRIERS CONTACTLESS ID TECHNOLOGIES

SALTO offers wide range of carriers(Fobs, braçalets, contact less bracelets, contactless fobs , contactless key cards...). There are many available technologies (DESfire, DESfireEV1, Mifare, Mifare plus, Ultralight C, Legic Advant, HID iCLASS® and i-Button).

MIFARE / DESFIRE

SALTO CONTACTLESS CARD PCMXK



SALTO CONTACTLESS MIFARE & DESFIRE SMART CARDS:



- Available in 1 Kbytes / 4 Kbytes of memory
- Available in white, SALTO design and other design (under request).

MAIN FEATURES:

Mifare RFID contactless technology reads & writes information to contactless smart cards (RFID) compatible with ISO 14443A, ISO 14443B and ISO 15693 standards, and as Mifare, Mifare plus, DESfire, DESfireEV1 technologies. They also allow for updating of the carriers via SALTO Virtual Net (SVN) technology. These SALTO electronic locks are compatible with NFC (Near Field Communication) technology which allows NFC enabled cell phones to act as contactless data carriers to open and control SALTO access controlled doors.

- 13.56MHz contactless RFID identification.
- ISO 14443A, ISO 14443B and ISO 15693, Mifare, DESfire Compatible.
- Near Field Communication (NFC) compatible.
- Key card available: 1Kbyte, 4Kbytes and 8 Kbytes depending on technology.
- Key shape available: ISO 7810 Cards, fobs, bracelets, stickers, watches...
- Reusable key cards.
- SALTO Virtual Network (SVN) compatible².
- FID technology, there's a contactless exchange of information between the card and the reader.
- High security encrypted Proximity cards.
- Multiapplication with other systems using the same card through shared sectors.
- Customized card issuing through the SALTO Authorization Media software (SAM).
- Waterproof cards which can be customized.
- Upgradable: selfprogrammable, ROM, R&W systems available using the same hardware.

SALTO CONTACTLESS MIFARE & DESFIRE STICKERS



- Round sticker (Ø 30mm)
- Available in 1 Kbytes memory
- Available in white color other design (under request).



SALTO CONTACTLESS MIFARE & DESFIRE KEY FOBS:



- Available in 1 Kbytes memory
- Available in different colors SALTO design and other design(under request).

BLUE - BLACK - GREEN - YELLOW - RED



SALTO CONTACTLESS MIFARE & DESFIRE KEY FOBS BRACELET:



- Available in 1 Kbytes memory
- Available in different colors SALTO design and other design(under request).

BLUE - BLACK - RED



SALTO CONTACTLESS MIFARE & DESFIRE BRACELET



- Available in 1 Kbytes memory
- Available in different colors SALTO design and

BLUE - WHITE - GREEN - YELLOW - RED - PINK



SALTO CARRIERS CONTACTLESS ID TECHNOLOGIES

SALTO offers wide range of carriers (Fobs, brazalets, contact less bracelets, contactless fobs, contactless key cards...). There are many available technologies (DESfire, DESfireEV1, Mifare, Mifare plus, Ultralight C, Legic Advant, HID iCLASS® and i-Button).

HID iCLASS®

SALTO CONTACTLESS CARD PCMxK



MAIN FEATURES:

iCLASS® contactless technology from HID is R&W identification technology based on 13.56 MHz read/write contactless smart card technology. iCLASS® offers enhanced security through encryption. This single-card, contactless solution permits multiapplication with others systems, and with the SVN capabilities, you will acquire a lot of interesting new features for your property access control.

- 13.56MHz contactless RFID identification.
- ISO 14443B2 standard compliant.
- ISO 15693 standard compliant.
- Reusable key cards.
- SALTO Virtual Network (SVN) compatible².
- Read & Write technology, there's a contactless exchange of information between the card and the reader.
- High security, by using password and encrypted Proximity cards.
- Multiapplication with other systems using the same card through shared pages.
- Customized card issuing through the SALTO Authorization Media software (SAM).
- Water proof cards which can be customized.
- Upgradable: ROM, R&W systems available using the same hardware.

SALTO CONTACTLESS HID iCLASS® SMART CARDS:



- Available in 1 Kbytes / 4 Kbytes of memory
- Available in white, SALTO design and other design (under request).

SALTO CARRIERS CONTACTLESS ID TECHNOLOGIES

SALTO offers wide range of carriers(Fobs, brazalets, contact less bracelets, contactless fobs , contactless key cards...). There are many available technologies (DESfire, DESfireEV1, Mifare, Mifare plus, Ultralight C, Legic Advant, HID iCLASS® and i-Button).

LEGIC

SALTO CONTACTLESS CARD PCMxK



MAIN FEATURES:

LEGIC Identysystems includes highly integrated LEGIC RF Standard and ISO 15693 and ISO 14443 compliant read/write Chip Sets, Security Modules and Transponder Chips for integration into third party products. A very good option if you already use a Legic transponder system.

SALTO Legic electronic escutcheons are Legic Prime and Advant compatible on the same device.

- 13.56MHz contactless RFID identification.
- Key card available: 256bytes (Legic Prime),1024bytes (Legic Advant and Prime), 4Kbytes (Legic Advant).
- Key shape available: ISO 7810 Cards, fobs, bracelets, stickers, watches...
- Reusable key cards.
- SALTO Virtual Network (SVN) compatible.
- Read & Write technology, there's a contact less exchange of information between the card and the reader.
- High security, by using password and encrypted Proximity cards.
- Multiapplication with other systems using the same card through shared pages.
- Customized card issuing through the Legic SAM protocol.
- Water proof cards which can be customized.

SALTO CONTACTLESS LEGIC SMART CARDS:



- Available in 256 bytes / 1024 bytes of memory
- Available in white, SALTO design and other design (under request).

SALTO CONTACTLESS LEGIC KEY FOBs:



- Available in 256 bytes memory
- Available in different colors SALTO design and other design(under request).

BLUE - BLACK - GREEN - YELLOW - RED



SALTO CONTACTLESS LEGIC KEY FOBs BRACELET:



- Available in 256 bytes memory
- Available in different colors SALTO design and other design(under request).

BLUE - BLACK - RED



SALTO CARRIERS CONTACTLESS ID TECHNOLOGIES

SALTO offers wide range of carriers(Fobs, bracalets, contact less bracelets, contactless fobs , contactless key cards...). There are many available technologies (DESfire, DESfireEV1, Mifare, Mifare plus, Ultralight C, Legic Advant, HID iCLASS® and i-Button).

i-BUTTON SMILE

SALTO i-BUTTON KEY



MAIN FEATURES:

The i-Button technology is a robust and ergonomic technology due to the design of the fob and the lock.

Smart, secure and innovative, SMILE XS4 electronic handle sets need no hard wiring and provide a modern solution to the problem of lost keys or masterkeys. No software or computer is required for programming the SMILE handle sets.

- Access given through contact by electronic i-Button.
- Simple and intuitive use due to the smart design of the i-Button and the electronic lock reader.
- A red programming tag controls 1 or more SMILE locks in a system.
- User tags supplied with deletion cards that can be filed away and used for lost tag deletion.
- Complete lock reset option.
- Handle sets can be programmed to be set in passage mode.
- Passage mode setting can be restricted to authorised users only.
- Extremely resistant system suitable for all kinds of environments.
- High security, by using password and encrypted i-Button fobs.
- i-Buttons can be customized by numeration.
- i-Buttons are water proof.

SALTO CONTACTLESS i-BUTTON KEY:



- SALTO i-Button key models are available in different colors.

GREY - BLACK - GREEN - YELLOW - RED



SALTO CONTACTLESS i-BUTTON KEY BRACELET:



- SALTO i-Button baracelets models are available in different colors.

BLUE - GREEN - YELLOW - RED



SALTO CARRIERS CONTACTLESS ID TECHNOLOGIES

SALTO offers wide range of carriers(Fobs, bracalets, contact less bracelets, contactless fobs , contactless key cards...). There are many available technologies (DESfire, DESfireEV1, Mifare, Mifare plus, Ultralight C, Legic Advant, HID iCLASS® and i-Button).

i-BUTTON ROM

SALTO i-BUTTON KEY



MAIN FEATURES:

The i-Button technology is a robust and ergonomic technology due to the design of the fob and the lock. This mid-range ROM system allows you to audit a large number of events in your locks.

- Access given through contact by electronic i-Button.
- Simple and intuitive use due to the smart design of the i-Button and the electronic lock reader.
- Extremely resistant system suitable for all kinds of environments.
- Different sort of i-Button fobs or bracelets available.
- Reusable keys.
- High security, by using password and encrypted i-Button fobs.
- i-Buttons can be customized by numeration.
- i-Buttons are water proof.

SALTO CONTACTLESS i-BUTTON KEY:



- Available in 512 bytes of memory.
- SALTO i-Button key models are available in different colors.

GREY - BLACK - GREEN - YELLOW - RED



SALTO CONTACTLESS i-BUTTON KEY BRACELET:



- Available in 512 bytes of memory.
- SALTO i-Button baracelets models are available in different colors.

BLUE - GREEN - YELLOW - RED



SALTO
CARRIERS
CONTACTLESS
ID TECHNOLOGIES

SALTO offers wide range of carriers(Fobs, braçalets, contact less bracelets, contactless fobs , contactless key cards...). There are many available technologies (DESfire, DESfireEV1, Mifare, Mifare plus, Ultralight C, Legic Advant, HID iCLASS® and i-Button).

i-BUTTON RW

SALTO i-BUTTON KEY



MAIN FEATURES:

The i-Button technology is a robust and ergonomic technology due to the design of the fob and the lock. Compatible with data on card technology SALTO Virtual Network (SVN) system that allows you to control all the doors in an entire building or group of buildings from a single PC.

- Access given through contact by electronic i-Button.
- Simple and intuitive use due to the smart design of the i-Button and the electronic lock reader.
- Extremely resistant system suitable for all kinds of environments.
- 512bytes or 2Kbytes i-Button fobs or bracelets available.
- Reusable keys
- SALTO Virtual Network (SVN) compatible.
- High security, by using password and encrypted i-Button fobs.
- i-Buttons can be customized by numeration.
- i-Buttons are water proof.

SALTO CONTACTLESS i-BUTTON KEY:



- Available in 512 bytes / 2048 bytes of memory.
- SALTO i-Button key models are available in different colors.

GREY - BLACK - GREEN - YELLOW - RED



SALTO CONTACTLESS i-BUTTON KEY BRACELET:



- Available in 512 bytes / 2048 bytes of memory
- SALTO i-Button key models are available in different colors.

BLUE - GREEN - YELLOW - RED



DATASHEET

NCODER by SALTO

The SALTO NCoder integrates the encoding capabilities of a powerful updated design encoder with a built-in desktop reader function. It is compatible with a wide range of RFID cards and mobile keys.

www.saltosystems.com

TECHNICAL SPECIFICATIONS: NCODER

SALTO
inspired access



TECHNICAL DATA:

Housing dimensions (H x W x D):	95.5 x 141 x 30.5 mm 3-3/4" x 5-9/16" x 1-3/16"
Weight:	174 g
Cover material:	PC/ASA
Certifications:	CE, FCC/IC, RCM

ELECTRONIC FEATURES:

USB Interface:	USB 2.0 Type-B
Ethernet Interface:	10BASE-T/100BASE-TX
DHCP Addressing:	•
Security:	DTLS v1.2 / AES128
NFC Interface:*	•
LED lamps:	Red+Green+Blue
Beeper:	•

* PPD Ethernet Bridge

ID TECHNOLOGIES:

MIFARE:*	•
Bluetooth Smart:	•
NFC:	•
Legic:**	—
iClass®Seos™:	•
Picopass:	—
i-Button:	—

* MIFARE® (DESFire EV2, Plus, Ultralight, Classic - ISO/IEC 14443).

** Legic Prime and Legic Advant

TECHNOLOGY PLATFORMS:**SALTO SPACE:**

Smile - Selfprogrammable	—
ROM:	—
SVN data-on-card:	•
JustIN Mobile BLE:*	•
JustIN Mobile NFC:*	•

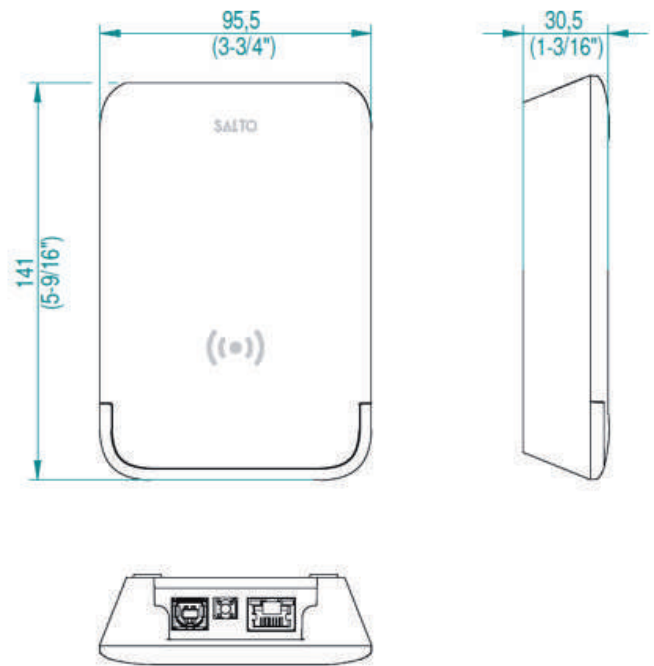
* Desktop reader only

SALTO KS:

SALTO KS:	—
-----------	---

SALTO SALLIS:

SALLIS:	—
---------	---

TECHNICAL DRAWING:**COVER STICKER FINISHES:**

Black:	•
White:	—

ELECTRICAL CHARACTERISTICS:**Operations conditions:**

	Min	Max	Unit
Temperature:	0	50	°C
(non condensing)	32	122	°F
Humidity:	0	95	%
(non condensing)			

Power consumption:

Power consumption:	5V
--------------------	----

DATASHEET

Energy Savers by SALTO

The SALTO in-room Energy Saving Device (ESD) helps to save up to 65%* of a hotel room or student dorms electricity consumption and unlike standard magnetic stripe energy savers, only authorized SALTO key cards will switch on the lights. Any other card (frequent flyer, bussiness card etc) or other SALTO cards belonging to other rooms, will not activate the lights.

It is also available in a connected on-line version, which as well as energy saving indicates in real-time the presence of guests or staff in a room, logging the information directly into the hotel PC. When a guest enters the room and inserts their card into the ESD it switches on all electrical equipment. When staff enters the room for cleaning or maintenance, the ESD recognises their staff card and switches on only the electrical equipment they need to do their work.

www.saltosystems.com

TECHNICAL SPECIFICATIONS: ENERGY SAVERS ESDx000

SALTO
inspired access



TECHNICAL DATA:

Reader dimensions (H x W x D):	140 x 82 x 31,5 mm
Operating ambient temperature:	0 °C / +60 °C.
Operating ambient humidity:	Inferior to 95% without condensation
Certifications:	CE

ID TECHNOLOGIES:

MIFARE / DESFire:*	•
BLE Smart:	—
NFC:	—
Legic:**	—
HID iClass®:	—
Picopass:	—

* MIFARE® (DESFire EV2, Plus, Ultralight C, Classic).

** Legic Prime and Legic Advant

TECHNOLOGY PLATFORMS:**SALTO SPACE:**

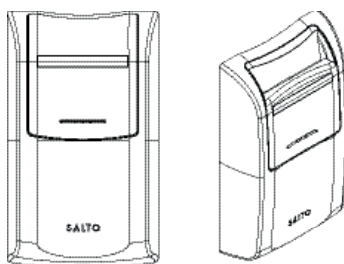
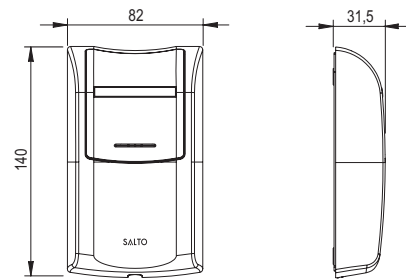
Smile - Selfprogrammable	—
ROM:	—
SVN data-on-card:	•
SALTO RFnet:	—
SALTO BLUEnet:	—
SALLIS:	—

SALTO KS:

SALTO KS:	—
-----------	---

FINISHES:

Blue Iron:	•
Champagne:	•

MODELS:ESD900:
Mifare**TECHNICAL DRAWING:****ELECTRICAL CHARACTERISTICS:**

Input Voltage:	85-265 Vac 50/60 Hz
Relays power cut:	10 A (Incandescent and halogen lamps) 12 A (250Vac, cosφ=1) // 8 A 250Vac, cosφ=0,6)
Minimal contact current:	100mA@6v

Consumption:

Rest Mode:	100mw (110Vac) // 200mw(220Vac)
Relais & Leds bar activated:	1,5w (110Vac) // 1,8w (220Vac)

Max. Section for power and relays contacts connector:

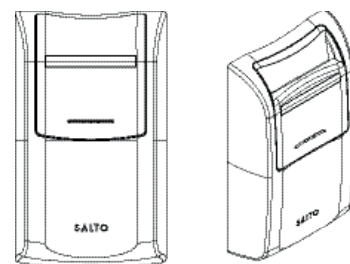
Stranded wire section:	12 AWG (2.5 mm ²)
Strip length:	5.5 - 6.5 mm

Max. Section for windows detector connector:

Stranded wire section:	16 AWG (1.5 mm ²)
Strip length:	4 - 5 mm

Max. Section for RS486 BUS connector:

Stranded wire section:	17 AWG (1 mm ²)
Strip length:	5 - 6 mm

ESD 900 ON-LINE:Mifare
Online
BUS connection to the Control Unit

DATASHEET

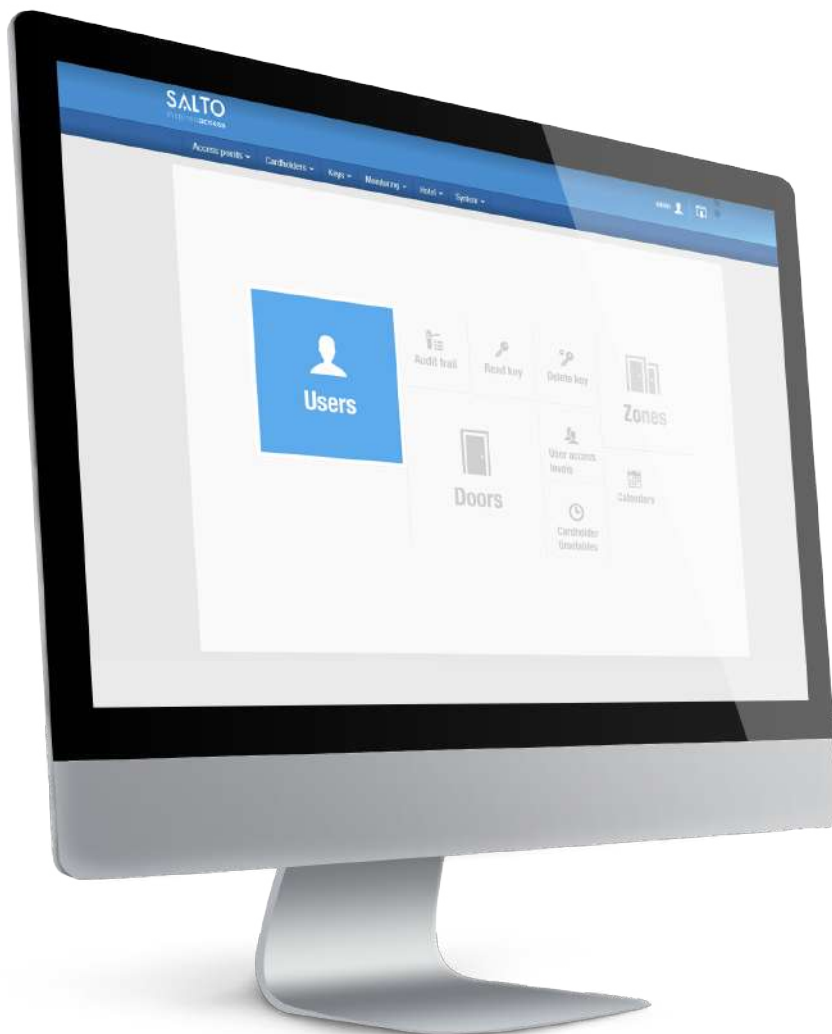
SALTO ProAccess SPACE

SALTO ProAccess SPACE Software is a powerful web-based access control management tool that enables users to programme access-time zones, manage different calendars and view audit trails from each door. Its user-friendly interface is simple to set up and configure, giving users the flexibility and control that today's modern access control systems require.

www.saltosystems.com

TECHNICAL SPECIFICATIONS: PROACCESS SPACE SOFTWARE

SALTO
inspired access



MAIN FEATURES:

Web based interface:	•
Multiworskstation compatible:	• No risk of database corruption.
Easy installation:	• Includes a powerful SQL engine.
Database protection:	• SQL or Windows authentication
Interface:	• Multilingual and configurable
Audit trails:	• Register changes done by operators
Interface alerts:	•
Upgrades	• Easy
Devices	• Can also be used on Windows-based tablets

ACCESS CONTROL FEATURES:**Users & doors:**

Maximum number of users per door:	4,000,000
Maximum number of doors per system:	64,000
Access levels:	Unlimited

Calendars & time zones:

Calendars in system:	256
Timetables:	1,024
Time periods:	1,024

SERVER TECHNICAL REQUIREMENTS:

Server Operative System:	Windows 7 SPI Windows 8.1 Windows 10 Windows Server 2008 R2 SP1 Windows Server 2012 R2 Windows Server 2016
Microsoft Net Framework Requirement:	Net Framework 4.6.2 or higher.
SQL Database Engine Compatibility:	SQL LocalDB (included in ProAccess SPACE software - SQL Server 2012Express). SQL Server 2005, 2008 R2, 2012, 2014, 2016, 2017
Hardware Requirements:	Processor: 1 GHz or higher. 32Bits or 64Bits. Installations with less than 300 IP devices: a dedicated machine with at least 1 CPU 2.5GHz and 4GB RAM is required. Installations with more than or equal to 300 IP devices: a dedicated machine with at least 2 CPU 2.5GHz and 8GB RAM is required. Hard disk space required: 5 GB. (Aprox., depends on the DB)

CLIENT TECHNICAL REQUIREMENTS:

Client Operative System:	Windows 7 Windows 8.1 Windows 10 Windows Server 2008, 2012, 2016, or higher. If no USB device is to be connected, then any operative system can be used.
Network Connection to Server:	Just a network connection and access to the server where SALTProAccess SPACE service is installed is required.
Web Browser:	Any browser that complies with HTML5. For example: Chrome, Firefox, Edge, Safari...

HOSPITALITY MODULE

Compatible with PMS	•	Extended stay through wireless	•
Compatible with RMS through SALTO BAS protocol	•	Group management	•
Compatible with POS	•	Compatible with institutional cards	•
Rerooming through wireless platform	•		

PACKAGES AND ADD-ON FEATURES:

		SPABASIC	SPAONLINE	SPAIDSYS	SPAPART	SPADEMO	SPATRIAL
	Users	4 000 000	4 000 000	4 000 000	4 000 000	20	4 000 000
	Doors	64 000	64 000	64 000	64 000	20	64 000
	Expiration period	No expiry	No expiry	No expiry	No expiry	No expiry	90 days
Functions							
	OPT-Nr						
Lockers	0001	Included	Included	Included	Included	Included	Included
Online Monitoring	0004	Included	Included	Included	Included	Included	Included
Lockdown	0005	Not included	Included	Included	Included	Included	Included
Antipassback	0006	Not included	Included	Included	Included	Included	Included
Event Stream	0007	Not included	Included	Included	Included	Included	Included
Automatic Key Assignment	0008	Not included	Included	Included	Included	Included	Included
Roll Call	0009	Not included	Included	Included	Included	Included	Included
Limited Occupancy	0010	Not included	Included	Included	Included	Included	Included
Card printing module	0012	Not included	Not included	Included	Included	Included	Included
Visitors management	0013	Possible add-on	Possible add-on	Included	Included	Included	Included
Department Operator	0011	Not included	Not included	Not included	Included	Included	Included
Locations & Function	0015	Possible add-on	Possible add-on	Possible add-on	Possible add-on	Included	Included
Mobile users module	0016	Possible add-on	Possible add-on	Possible add-on	Possible add-on	Included	Included
Database Synchronization	0017	Possible add-on	Possible add-on	Possible add-on	Possible add-on	Included	Included
SHIP Integration	0018	Possible add-on	Possible add-on	Possible add-on	Possible add-on	Included	Included
Graphical Mapping compatibility	0019	Possible add-on	Possible add-on	Possible add-on	Possible add-on	Included	Included
SAM Custom Keys	0020	Possible add-on	Possible add-on	Possible add-on	Possible add-on	Included	Included
SAM Custom Keys defined by user	0029	Possible add-on	Possible add-on	Possible add-on	Possible add-on	Not included	Not included
Wireless RF2	0021	Possible add-on	Possible add-on	Possible add-on	Possible add-on	Included	Included
Alarms & Communication	0032	Possible add-on	Possible add-on	Possible add-on	Possible add-on	Included	Included
SALTO BLUEnet RF	0033	Possible add-on	Possible add-on	Possible add-on	Possible add-on	Included	Included
Elevator integration feature	0035	Possible add-on	Possible add-on	Possible add-on	Possible add-on	Included	Included
Hotel module	0022	Possible add-on	Possible add-on	Possible add-on	Possible add-on	Included	Included
BAS Integration	0023	Possible add-on	Possible add-on	Possible add-on	Possible add-on	Included	Included
Mobile Guest Keys	0028	Possible add-on	Possible add-on	Possible add-on	Possible add-on	Included	Included

DATASHEET

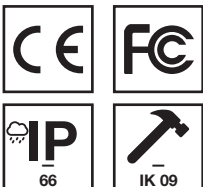
WALL READER ON-LINE by SALTO

SALTO offers a wide range of wall readers that, in combination with SALTO Door Controllers enable the expansion of SALTO access control benefits to all those doors where a stand-alone electronic lock cannot be fitted, i.e. barriers, lifts, sliding doors or electronic gates, where control must be boosted by online real-time access control.

www.saltosystems.com

TECHNICAL SPECIFICATIONS: WALL READER

SALTO
inspired access



TECHNICAL DATA:

Housing dimensions (H x W x D):	95.5 x 95,5 x 22 mm 3-3/4" x 3-3/4" x 55/64"
Weight:	20 g - 1 Oz
Cover material:	PC/ASA
IP class:	IP66
Certifications:	CE, FCC/IC, RCM, MIC, UL294

ELECTRONIC FEATURES:

Power:	12V supplied by the door controller.
Connection to the door controller:	AWG24 twisted pair or AWG18 cable connection.
Firmware update:	Via ProAccess SPACE software.
LED lamps:	Multi colour led to indicate access authorisation.

ID TECHNOLOGIES:

MIFARE:*	•
BLE Smart:	•
NFC:	•
Legic:**	—
iClass® Seos™:	•
Picopass:	—

* MIFARE® (DESFire EV2, Plus, Ultralight C, FlexSpace, Classic - ISO/IEC 14443).

** Legic Prime and Legic Advant

TECHNOLOGY PLATFORMS:**SALTO SPACE:**

Smile - Selfprogrammable	—
ROM:	—
SVN data-on-card:	•
SALTO RFnet:	—
SALTO BLUEnet:	—

SALTO KS:

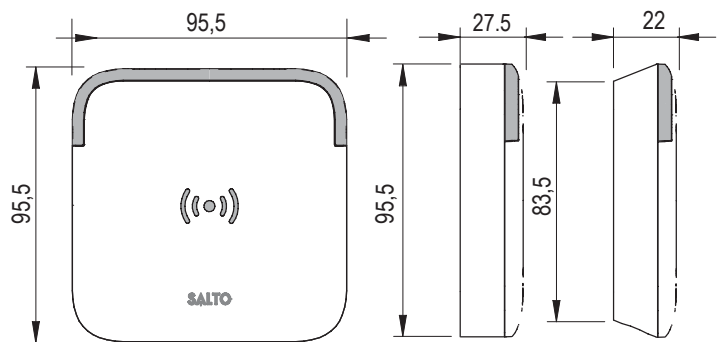
SALTO KS:	•
-----------	---

SALTO SALLIS:

SALLIS:	—
---------	---

COVER STICKER FINISHES:

Black:	•
White:	•

TECHNICAL DRAWING:**ELECTRICAL CHARACTERISTICS:****Operations conditions:**

	Min	Max	Unit
Temperature:	-35*	66	°C
	-31*	150	°F
Humidity:	35	85	%

*iClass® Seos™: -25 °C / -13 °F

Power consumption:

	Min	Max	Unit
Reader		150	mA

RF characteristics:

	Min	Gen	Unit
RFID frequency:		13,56	MHz
BLE frequency:	2,4	2,445	GHz

Cable type and distances:

	Reader
UTP Cat5e 2 pairs AWG24	100m 328ft
UTP Cat5e 4 pairs AWG24 + SP224861/SP224895	250m 820ft
Twisted pairs AWG18	400m 1312ft

TECHNICAL DATA:

Housing dimensions (H x W x D):	95.5 x 95,5 x 22 mm 3-3/4" x 3-3/4" x 55/64"
Weight:	25 g - 1 Oz
Cover material:	PC/ASA
IP class:	IP66
Certifications:	CE, FCC/IC, RCM, MIC, UL294

ELECTRONIC FEATURES:

Power:	12V supplied by the door controller.
Connection to the door controller:	AWG24 twisted pair or AWG18 cable connection.
Firmware update:	Via ProAccess SPACE software.
LED lamps:	Multi colour led to indicate access authorisation.

ID TECHNOLOGIES:

MIFARE:*	•
BLE Smart:	•
NFC:	•
Legic:**	•
iClass® Seos™:	•
Picopass:	—

* MIFARE® (DESFire EV2, Plus, Ultralight C, FlexSpace, Classic - ISO/IEC 14443).

** Legic Prime and Legic Advant

TECHNOLOGY PLATFORMS:**SALTO SPACE:**

Smile - Selfprogrammable	—
ROM:	—
SVN data-on-card:	•
SALTO RFnet:	—
SALTO BLUEnet:	—

SALTO KS:

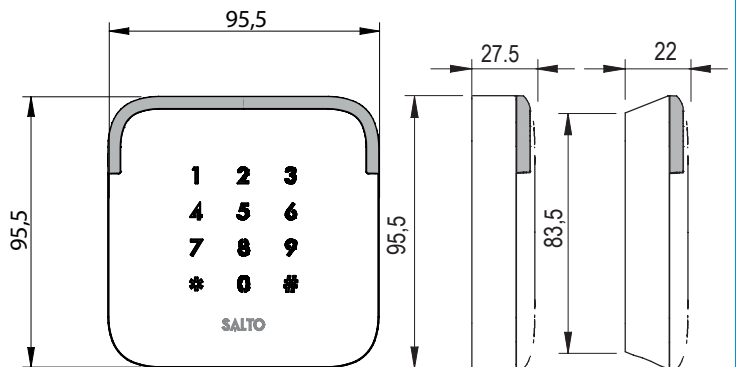
SALTO KS:	•
-----------	---

SALTO SALLIS:

SALLIS:	—
---------	---

COVER STICKER FINISHES:

Black:	•
White:	•

TECHNICAL DRAWING:**ELECTRICAL CHARACTERISTICS:****Operations conditions:**

	Min	Max	Unit
Temperature:	-35*	66	°C
	-31*	150	°F
Humidity:	35	85	%

*iClass® Seos™: -25 °C / -13 °F

Power consumption:

	Min	Max	Unit
Reader		250	mA

RF characteristics:

	Min	Gen	Unit
RFID frequency:		13,56	MHz
BLE frequency:	2,4	2,445	GHz

Cable type and distances:

	Reader
UTP Cat5e 2 pairs AWG24	100m 328ft
UTP Cat5e 4 pairs AWG24 + SP224861/SP224895	250m 820ft
Twisted pairs AWG18	400m 1312ft

DATASHEET

XS4 LOCKER by SALTO

The XS4 Locker Lock BLE provides high level security to a wide range of lockers, cupboards, cabinets, boxes, etc. by integrating it into the SALTO wirefree electronic access solution. Its new electronics permits to integrate Bluetooth technology allowing the usage of JustIN Mobile technology and SALTO BLUEnet wireless online technology through the same hardware. It is now possible to customize the level of functionality you need just by programming the device as desired.

The battery pack, electronic components and locking mechanism are all located on the inside of the door, safe from potential vandalism or sabotage.

www.saltosystems.com

XS4 LOCKER Lx050

SALTO
inspired access



TECHNICAL DATA:

Outside escutcheon measurements:	54mm x 105mm x 28mm
Inside cover measures:	100mm x 110,5mm x 25mm
Door thickness:	10mm up to 50mm adaptable on site.
Deadbolt projection	15mm
Power source:	3 alkaline batteries (LR03 AAA 1,5V). Optional 3 Lithium batteries (FR03 - AAA 1,5V).
Number of openings:	<ul style="list-style-type: none"> • Mifare: 75.000* • BLE: 60.000*
Maximum events on lock audit	1,861
Environmental conditions:	Temperature: 0°C to +60°C; Humidity: 0 to 95%
Certifications:	CE, FCC, IC, RCM
Material:	<ul style="list-style-type: none"> • Anthracite finish (A) • PC+ABS + BioCote • White Finish (M) • ASA-PC + BioCote

* Depending on the usage

ID TECHNOLOGIES:

MIFARE:*	•
Bluetooth Smart:	•
NFC:	•
Legic:**	•
HID iClass® Seos:	•
Picopass:	—

* MIFARE® (DESFire EV2, Plus, Ultralight C, Classic - ISO/IEC 14443, SKIDATA).

** Legic Prime and Legic Advant

TECHNOLOGY PLATFORMS:

SALTO SPACE:

Smile - Selfprogrammable	—
ROM:	—
SVN data-on-card:	•
SALTO RFnet:	—
SALTO BLUEnet*:	•

* BLUEnet communication on metal door may need to install more BLUEnet nodes or repeaters.

SALTO KS:

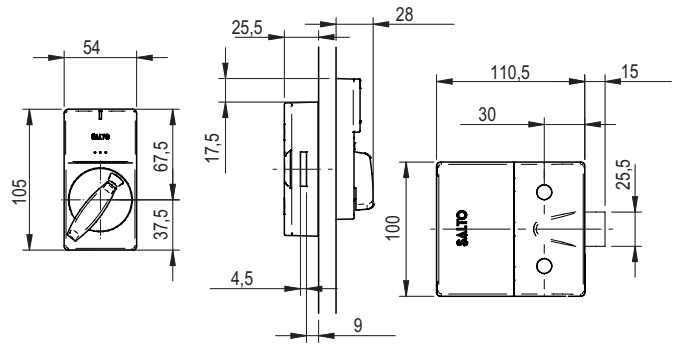
SALTO KS*:	•
------------	---

* Locker functionalities in development

SALTO SALLIS:

SALLIS:	—
---------	---

TECHNICAL DRAWING:



OPTIONS:

Reader colour:

Anthracite:	•
White*:	•

*White outside, anthracite inside

Special features:

Comes with BioCote® Silver Ion antimicrobial technology

OPENING MODES:

Fixed locker assignment:	A specific user ID carrier operates a specific locker lock.
Free locker assignment*:	Any user ID carrier subsequently used to unlock a locker takes control.
Family option:	Multiple user ID carriers to operate a single locker.

* Compatible with RFID and NFC.
Not available for smartphone using BLE.

//DATASHEET

SALTO XS4 PPD Contactless | Access control management tools

XS4 is the new access control platform from SALTO enabling users to control and manage a greater range of applications than ever before. To perform routine tasks such as editing new user keys, setup the access control plan, run diagnostics on offline devices, or perform emergency openings in extreme situations and more, SALTO has developed a useful range of tools to make such tasks easier and faster.

SALTO PORTABLE PROGRAMMING DEVICE PPD PPD800

SALTO
inspired**access**



XS4
by S A L T O

ACCESS CONTROL MANAGEMENT TOOLS

XS4

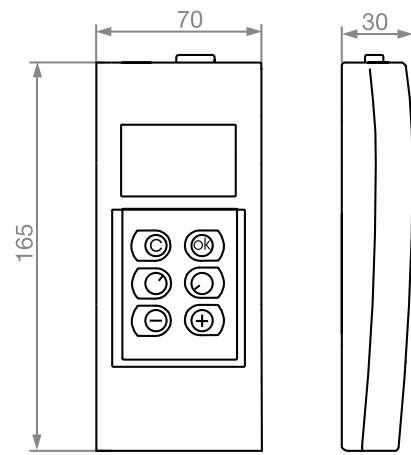
SALTO PORTABLE PROGRAMMING DEVICE PPD

The SALTO Portable Programmer Device is the messenger between the computer and the lock.
The SALTO PPD has a multilingual interface.



XS4 E40: NARROW BODY VERSION

PPD800 - SALTO PORTABLE PROGRAMMING



MAIN FEATURES:

- **Initialize the locks:** The PPD permits to assign the basic data to each lock during the system set up, programming the information necessary for the start up.
- **Electronic lock diagnostic:** this permits to take the diagnostic status of the electronic locks, collecting data such as: Firmware version of the lock, its serial number, the lock available memory, the battery status, to which systems the lock belongs to, time and date of the lock.
- **Emergency openings:** this allows the emergency open of a door in the case that the key has been lost, when the lock is in privacy mode, or if the locks battery life has expired and it's not possible to do any electronic openings.
- **Collect audit:** this collects all the events which has been made and recorded by the lock in order to download them to a PC to be analysed.
- **Update locks:** this updates the lock with the latest access plan data for the optimum working of the system; time, cancelled keys blacklist.
- **Firmware update:** this updates the lock firmware in order to enhance the performance and the reliability of the device by installing the latest firmware version.

TECHNICAL DATA:

- Power supplied: 3 alkaline batteries - LR03 - AAA 1,5V.
- Connection to XS4 2.0 product range: contactless connection via NFC technology.
- Connection to lock: 3 PIN cable included.
- PC connection: USB, RS232.
- 14 different languages available (enabled through software).

CERTIFICATES:

- EN 55022 (1994), Class B
- EN 50082 (1997)

OPERATING TEMPERATURES:

- .0°C /80°C'

//DATASHEET

XS4 2.0 CONTROLLER

Cutting-edge design + Amazing technology:

The SALTO XS4 2.0 Controller incorporates the cutting edge design standard of the XS4 2.0 product range in this technological powerhouse.

XS4 2.0 CONTROLLER CU42xx

SALTO
inspired access



SALTO XS4 2.0 CONTROLLER ONLINE

SALTO's latest Control Unit makes it even easier to bring superior access control to your facility thanks to the ability to control and manage multiple doors through one Ethernet connection and one IP address.

This means that extending SALTO access control benefits to all those doors where a stand-alone electronic escutcheon cannot be fitted (electric strikes, magnets, barriers, elevators, etc.) is even easier and more cost-effective.

XS4 2.0 CONTROLLER: ONLINE

CU42E0



MAIN FEATURES:

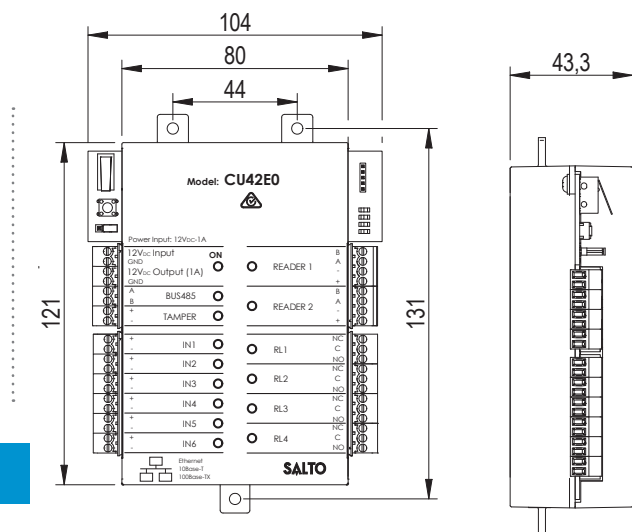
- Online IP based door controller.
- Two wall reader connection that can be configured as 2 different doors or one door reader in and reader out locking.
- Antipass-back mode available by connecting 2 wall readers and set up as one door.
- 4 relay outputs.
- 6 inputs to connect to:
 - Door detector, request to exit switch (RTE), office switch.
- 2 different tampers:
 - one tamper input
 - and one tamper switch.
- Door monitoring and tamper monitoring via contacts input (intrusion alarm and door left opened alarm).

MECHANICAL ASPECTS:

- Dimensions: 104mm x 131mm x 43,3mm (W x H x D).
- Weight: 0.5kg.

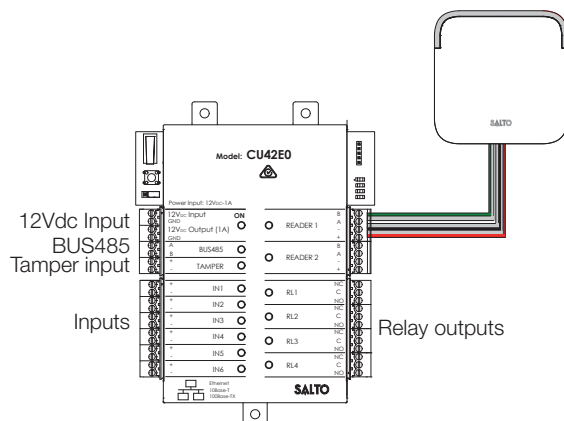
CERTIFICATIONS:

- CE conform
- UL 294
- FCC certified



- To be used with all SALTO XS4 2.0 Readers (WRDBxxx and WRMBxxx series).
- Virtual network capable through SALTO Virtual Network technology.
- All communications between the carrier and the wall reader are encrypted and secure².
- The maximum cable length between the door controller and the wall reader is up to 400 meters³.
- Connection to the wall reader using 4 wire connection, twisted pair.
- Power consumption: 12V DC 400mA (without XS4 2.0 readers), supplied by an adaptor.

INSTALLATION:



¹ Not available yet.

² Depending on the card and the RFID technology

³ Depending on the cable.

SALTO XS4 2.0 CONTROLLER ONLINE WITH HOUSING

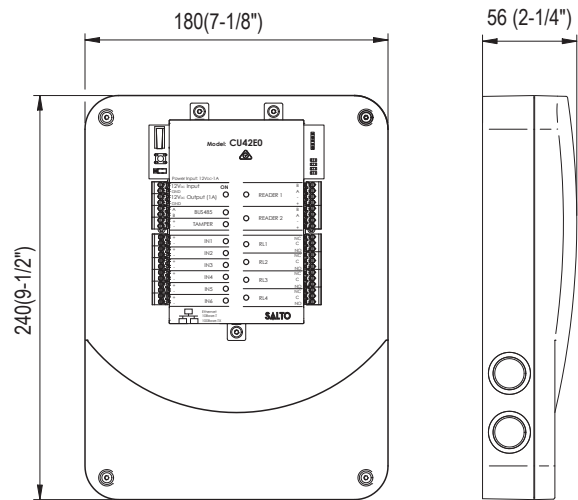
SALTO's latest Control Unit makes it even easier to bring superior access control to your facility thanks to the ability to control and manage multiple doors through one Ethernet connection and one IP address.

This means that extending SALTO access control benefits to all those doors where a stand-alone electronic escutcheon cannot be fitted (electric strikes, magnets, barriers, elevators, etc.) is even easier and more cost-effective.

With the new XS4 2.0 Controller Online with Housing it is easier to install and it enhanced the aesthetic and sturdiness.

XS4 2.0 CONTROLLER: ONLINE WITH HOUSING

CU42E0x



MAIN FEATURES:

- Online IP based door controller.
- Two wall reader connection that can be configured as 2 different doors or one door reader in and reader out locking.
- Antipass-back mode available by connecting 2 wall readers and set up as one door.
- 4 relay outputs.
- 6 inputs to connect to:
 - Door detector, request to exit switch (RTE), office switch.
- 2 different tampers:
 - one tamper input
 - and one tamper switch.
- Door monitoring and tamper monitoring via contacts input (intrusion alarm and door left opened alarm).

- o be used with all SALTO XS4 2.0 Readers (WRDBxxx and WRMBxxx series).
- Virtual network capable through SALTO Virtual Network technology.
- All communications between the carrier and the wall reader are encrypted and secure².
- The maximum cable length between the door controller and the wall reader is up to 400 meters³.
- Connection to the wall reader using 4 wire connection, twisted pair.
- Power consumption: 12V DC 400mA (without XS4 2.0 readers), supplied by an adaptor.
- 2 different Housing finishes translucent or grey opac.
- 8 pre-punched holes to fit the wiring.
- Screws and caps included.

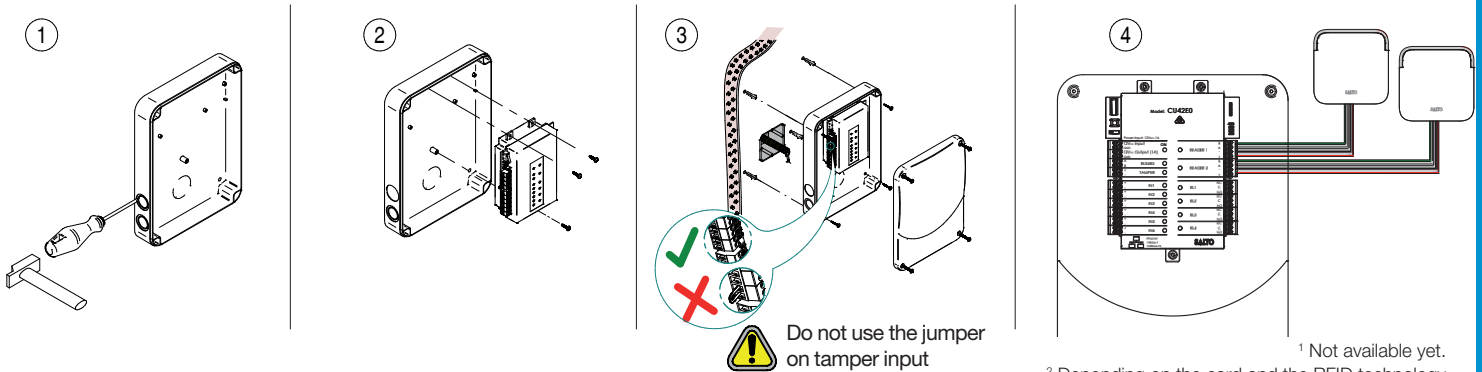
MECHANICAL ASPECTS:

- Dimensions: 180mm x 240mm x 56mm (W x H x D).
- Weight: 0.7kg.

CERTIFICATIONS:

- CE conform
- UL 294
- FCC certified

INSTALLATION:



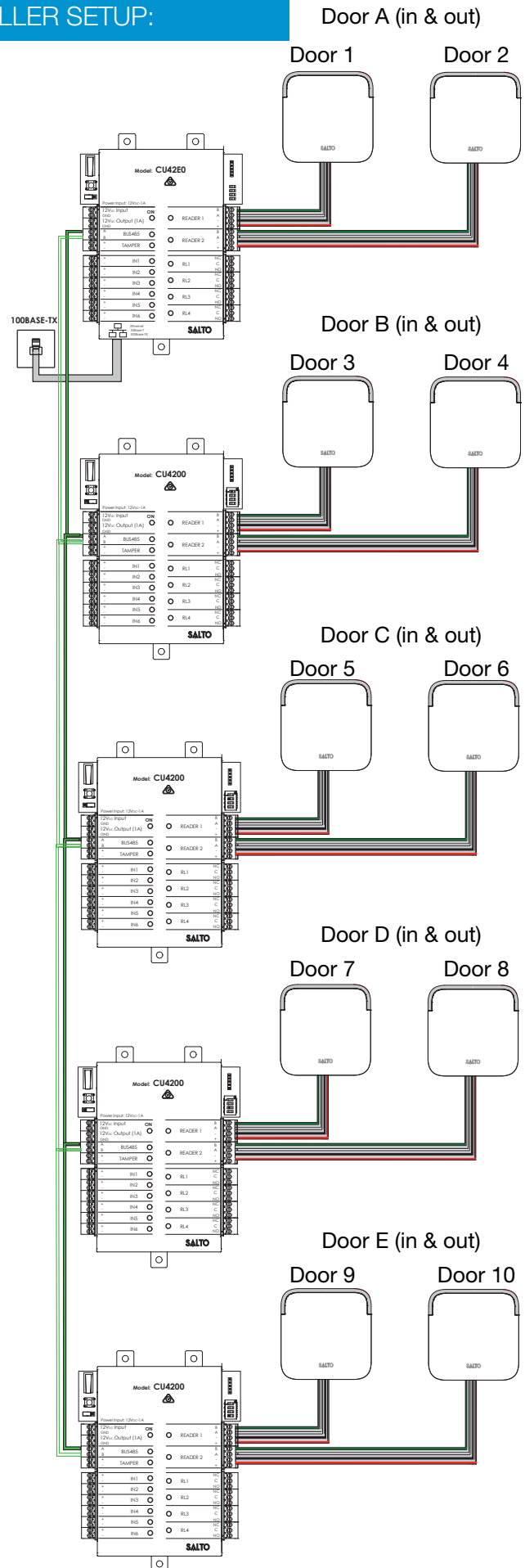
XS4 2.0 CONTROLLER - ONLINE DOOR CONTROLLER SETUP:

ONLINE CONTROLLER (CU42E0):

- Connection with the server via Ethernet 100BASE-TX or 10Base-T.
- Requires one IP address.
- Initialization via Ethernet online connection.
- Set up through SALTO ProAccess SPACE software.
- Set up:
 - As One door (reader in & reader out).
 - Two doors (reader one - door one, reader two - door two).
- Supports up to 4 auxiliar controllers (CU4200).
- One IP address needed to control up to 10 doors.

ONLINE AUXILIAR CONTROLLER (CU4200):

- Connection with the online controller (CU42E0) via BUS485.
- Do not requires IP address.
- Initialization via Ethernet online connection.
- Set up through SALTO ProAccess SPACE software.
- Set up:
 - As One door (reader in & reader out).
 - Two doors (reader one - door one, reader two - door two).



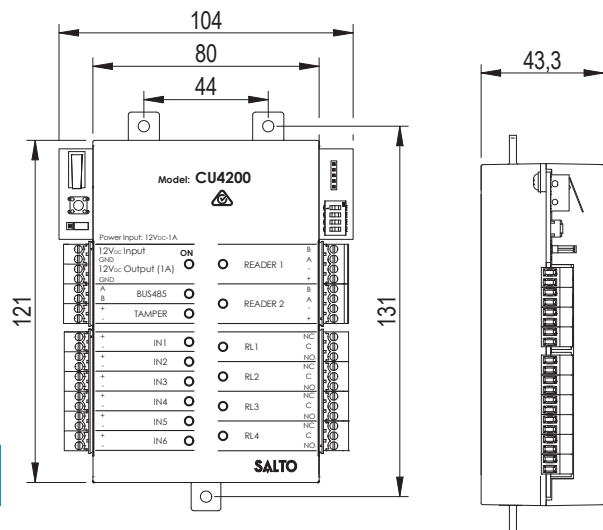
SALTO XS4 2.0 AUXILIAR OR OFFLINE CONTROLLER

SALTO's latest Control Unit makes it even easier to bring superior access control to your facility thanks to the ability to control and manage multiple doors through one Ethernet connection and one IP address.

The New SALTO XS4 2.0 Controller CU4200 is an auxiliar controller that do not requires an IP address and can be set up as an auxiliar controller connected to an XS4 online controller (CU42E0) or can work as offline controller reducing the costs of installation keeping all the advantages of the SALTO Data-on-card technology.

XS4 2.0 CONTROLLER: AUXILIAR OR OFFLINE

CU4200

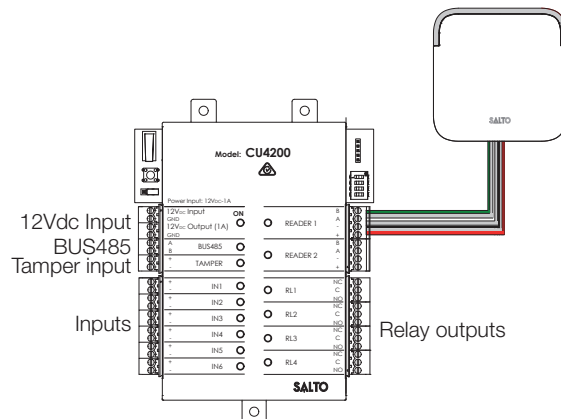


MAIN FEATURES:

- Two wall reader connection that can be configured as 2 different doors¹, or one door reader-in and reader-out locking if set up as offline and programmed via PPD.
- Antipass-back mode available by connecting 2 wall readers and set up as one door.
- 4 relay outputs.
- 6 inputs to connect to:
 - Door detector, request to exit switch (RTE), office switch.
- 2 different tampers:
 - One tamper input,
 - and one tamper switch.
- Door monitoring and tamper monitoring via contacts input (intrusion alarm and door left opened alarm)².

- o be used with all SALTO XS4 2.0 Readers (WRDBxxx and WRMBxxx series).
- Virtual network capable through SALTO Virtual Network technology.
- All communications between the carrier and the wall reader are encrypted and secure⁴.
- The maximum cable length between the door controller and the wall reader is up to 400 meters⁵.
- Connection to the wall reader using 4 wire connection, twisted pair.
- Power consumption: 12V DC 400mA (without XS4 2.0 readers), supplied by an adaptor.

INSTALLATION:



MECHANICAL ASPECTS:

- Dimensions: 104mm x 131mm x 43,3mm (W x H x D).
- Weight: 0.5kg.

CERTIFICATIONS:

- CE comform
- UL 294
- FCC certified

¹If the controller is set up as an auxiliar controller and conneted to a CU42E0 by BUS485

² If connected to an online CU42E0or via audit trail if offline.

³ Not available yet.

⁵ Depending on the card and the RFID technology

⁵ Depending on the cable.

SALTO XS4 2.0 AUXILIAR OR OFFLINE CONTROLLER WITH HOUSING

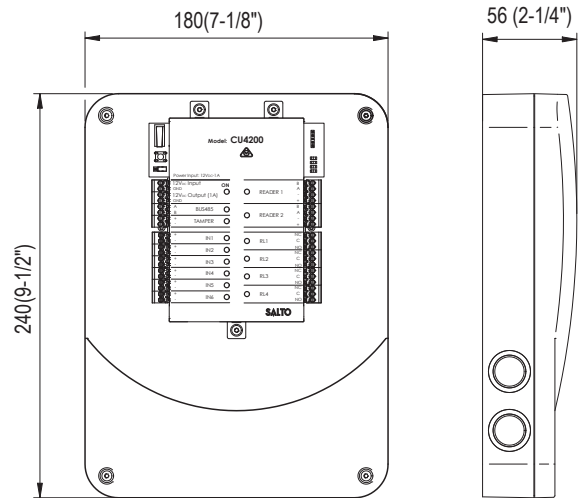
SALTO's latest Control Unit makes it even easier to bring superior access control to your facility thanks to the ability to control and manage multiple doors through one Ethernet connection and one IP address.

The New SALTO XS4 2.0 Controller CU4200 is an auxiliary controller that do not requires an IP address and can be set up as an auxiliary controller connected to an XS4 online controller (CU42E0) or can work as offline controller reducing the costs of installation keeping all the advantages of the SALTO Data-on-card technology.

With the new XS4 2.0 Auxiliary Controller with Housing it is easier to install and it enhanced the aesthetic and sturdiness.

XS4 2.0 CONTROLLER: AUXILIAR OR OFFLINE WITH HOUSING

CU4200x



MAIN FEATURES:

- Two wall reader connection that can be configured as 2 different doors¹, or one door reader-in and reader-out locking if set up as offline and programmed via PPD.
- Antipass-back mode available by connecting 2 wall readers and set up as one door.
- 4 relay outputs.
- 6 inputs to connect to:
 - Door detector, request to exit switch (RTE), office switch.
- 2 different tamper:
 - One tamper input,
 - and one tamper switch.
- Door monitoring and tamper monitoring via contacts input (intrusion alarm and door left opened alarm)².
- o be used with all SALTO XS4 2.0 Readers (WRDBxxx and WRMBxxx series). Virtual network capable through SALTO Virtual Network technology.
- All communications between the carrier and the wall reader are encrypted and secure⁴.
- The maximum cable length between the door controller and the wall reader is up to 400 meters⁵.
- Connection to the wall reader using 4 wire connection, twisted pair.
- Power consumption: 12V DC 400mA (without XS4 2.0 readers), supplied by an adaptor.
- 2 different Housing finishes translucent or grey opac.
- 8 pre-punched holes to fit the wiring.
- Screws and caps included.

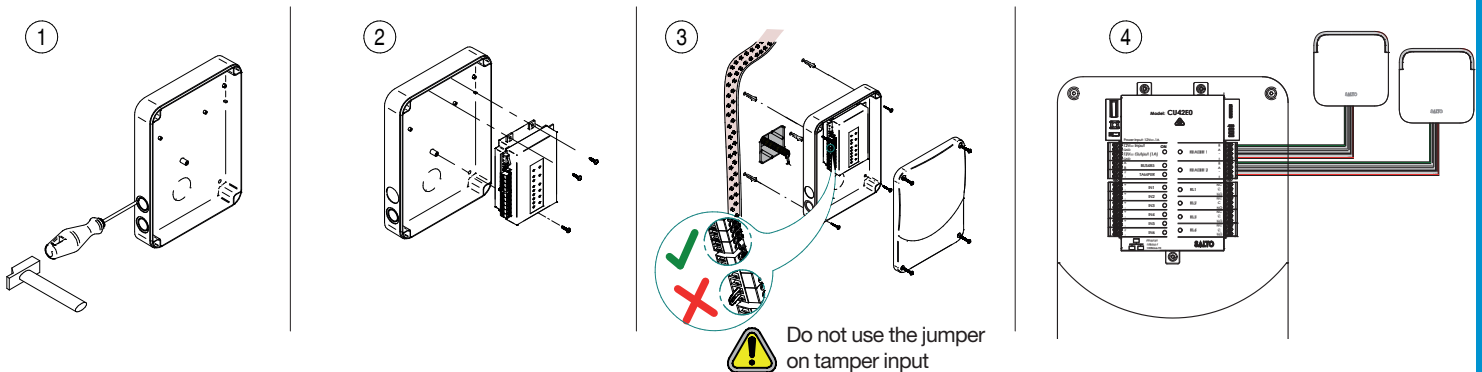
MECHANICAL ASPECTS:

- Dimensions: 180mm x 240mm x 56mm (W x H x D).
- Weight: 0.7kg.

CERTIFICATIONS:

- CE conform
- UL 294
- FCC certified

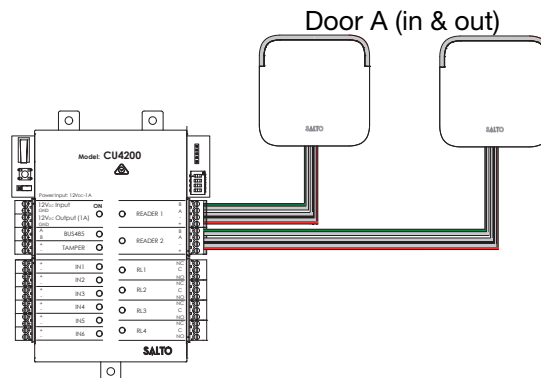
INSTALLATION:



XS4 2.0 CONTROLLER - AUXILIAR OR OFFLINE DOOR CONTROLLER SETUP:

OFFLINE AUXILIAR CONTROLLER (CU4200):

- No online connection.
- Do not requires IP address.
- Initialization via PPD connection with the 3 pin cables directly to the controller or via PPD contactless through the wall reader.
- Set up through SALTO ProAccess SPACE software.
- Set up: as one door (reader in & reader out).
- Access plan update via SALTO Virtual Network capabilities. user access plan and blacklist (list of users card cancelled) is transmitted via the Data-on-card technology.



ACCESS CONTROL FEATURES:

	R&W SVN
Maximum number of users per door	4,000,000
Maximum number of doors per system	64,000
Maximum events on controller audit	5,000
Time zones	256
Automatic changes tables in system	1,024
Calendars in system	256
Access levels in system	unlimited
Zones in system	1,024
Management software	ProAccess SPACE

SALTO VIRTUAL NETWORK CAPABILITIES

- Add or delete access privileges at will to the ID carriers.
- The ability to validate the expiry date of key cards on any SVN Online wall reader.
- Add security through additional authenticated validation procedures including pin codes as well the ability to blacklist cards from the system.
- On card audit-trailing to track staff or visitor movement.
- Lock specific battery power data is registered on any card using the lock - staff or visitor - and transferred back to the PC control software via any update reader just by using the system.
- Expiry date can be extended if network connection is lost.

AVAILABLE OPENING MODES:

- **STANDARD:** Locked at all times.
- **AUTOMATIC CHANGES:** Any opening mode can be performed through logical set up of the controller.

ONLINE FEATURES FOR ONLINE CONTROLLERS

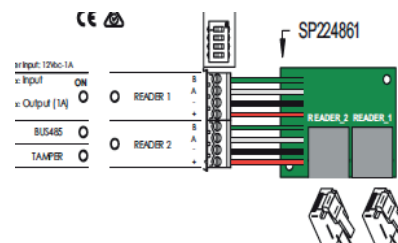
REAL-TIME ACCESS CONTROL CHANGES:

- Live monitoring of user entry and exit through the door controller.
- Live audit trail build up on the software.
- Door monitoring status for forced door and door left open alarm.
- Remote door opening from software.
- Door lock out or lock open emergency setting from software.
- The IP door controller can be included in roll call set up used, for example for user location monitoring parking controls etc
- Works as Online hub up to Online Energy Saving Devices (pending).
- Connected to standard Ethernet network.
- Works off-line if the network connection is lost.
- Communications between the SALTO Service /online controller and auxiliary controller is secured and encrypted by AES 128 encryption.
- Invalidates deleted cards.

ACCESSORIES:

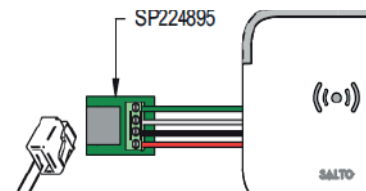
Model SP224861

Connecting circuit RJ45 cable adaptor for CU42E0 or CU4200.



Model SP224895

Connecting circuit adaptor for RJ45 cable for WRDBxxx series.



Datasheet-XS4CU42xx_ENG_09_15

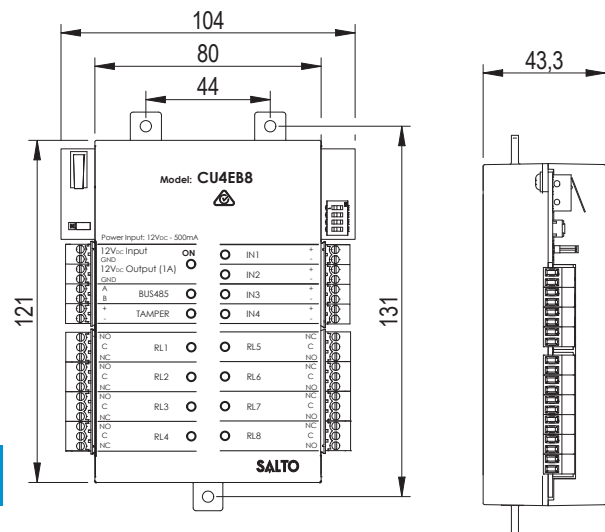
SALTO XS4 2.0 INPUT / OUTPUT EXPANSION UNIT

The new input / output expansion unit - CU4EB8 - is a device which, when connected to CU4200 door controllers, provides the option to manage multi relay switchable output systems such as elevator floor level access, multi shutter and barrier systems, machine switching and more.

When connected to an online device this expansion board permits to trigger alarms through the inputs and generate alarms or even logical actions through the SALTO ProAccess SPACE software.

XS4 2.0 CONTROLLER: I/O EXPANSION UNIT.

CU4EB8



MAIN FEATURES:

- Input and output board managed by the controller.
- Configurable by PPD.
- Upto 16 Expansion units can be connected to one controller
- To be used with XS4 2.0 Controller CU4200.
- 4 Automatic output.
- Fully integrated with the SALTO ProAccess Alarms and communication module permitting to use the inputs to trigger any event.

MECHANICAL ASPECTS:

- Dimensions: 104mm x 131mm x 43,3mm (W x H x D).
- Weight: 0.5kg.

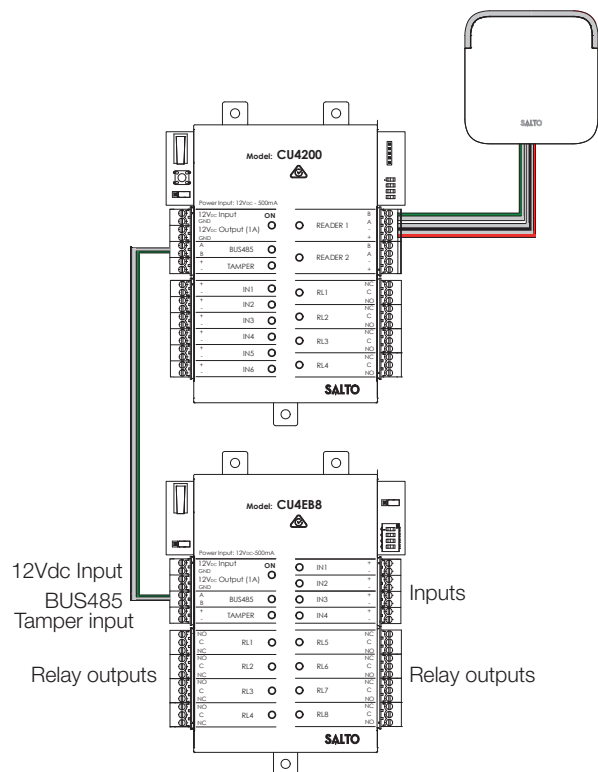
TECHNICAL CHARACTERISTICS:

- Connection to the controller through BUS485.
- 8 relay outputs.
- 4 inputs (not used in offline mode)
- 2 different tampers:
 - 1 tamper input
 - 1 tamper switch.
- The maximum cable length between the first and the last expansion unit on the RS485 BUS is 300 meters.
- Connection to the controller using 4 wire connection, twisted pair (AWG24).
- Power consumption: 12V DC 400mA, supplied by an adaptor.
- Maximum output relay load: 2A-30Vdc (resistive load)

CERTIFICATIONS:

- CE conform

INSTALLATION:



SALTO XS4 2.0 INPUT / OUTPUT EXPANSION UNIT WITH HOUSING

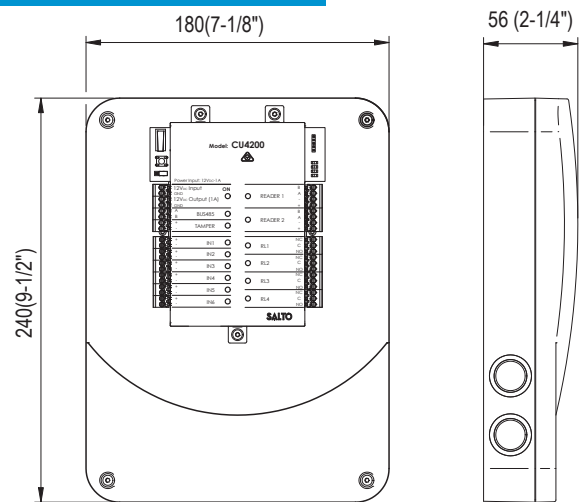
The new input / output expansion unit - CU4EB8 - is a device which, when connected to CU4200 door controllers, provides the option to manage multi relay switchable output systems such as elevator floor level access, multi shutter and barrier systems, machine switching and more.

When connected to an online device this expansion board permits to trigger alarms through the inputs and generate alarms or even logical actions through the SALTO ProAccess SPACE software.

With the new XS4 2.0 Input / output expansion unit with Housing it is easier to install and it enhanced the aesthetic and sturdiness.

XS4 2.0 CONTROLLER: I/O EXPANSION UNIT WITH HOUSING

CU4EB8x



MAIN FEATURES:

- Input and output board managed by the controller.
- Configurable by Software in online mode or by PPD in offline mode.
- Can be connected to 15 additional I/O Boards.
- To be used with XS4 2.0 Controller CU42E0 or CU4200.
- 4 Automatic output.
- 2 different Housing finishes translucent or grey opac.
- 8 pre-punched holes to fit the wiring.
- Screws and caps included.
- Fully integrated with the SALTO ProAccess Alarms and communication module permitting to use the inputs to trigger any event.

MECHANICAL ASPECTS:

- Dimensions: 180mm x 240mm x 56mm (W x H x D).
- Weight: 0.7kg.

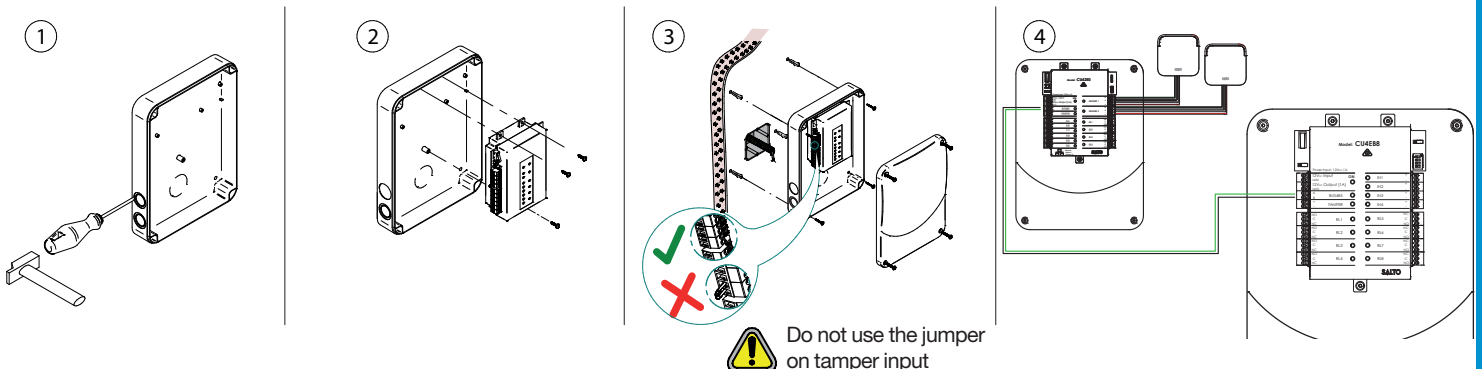
CERTIFICATIONS:

- CE conform

TECHNICAL CHARACTERISTICS:

- Connection to the controller through BUS485.
- 8 relay outputs.
- 4 inputs (not used in offline mode)
- 2 different tamper:
 - 1 tamper input
 - 1 tamper switch.
- The maximum cable length between the first and the last expansion unit on the RS485 BUS is 300 meters.
- Connection to the controller using 4 wire connection, twisted pair (AWG24).
- Power consumption: 12V DC 400mA, supplied by an adaptor.
- Maximum output relay load: 2A-30Vdc (resistive load)

INSTALLATION:



SALTO

MIDDLE EAST AND AFRICA PROJECT
REFERENCE LIST - HOSPITALITY



PROJECT NAME	DOORS	ACCESS CONTROL TYPE	TECHNOLOGY
UNITED ARAB EMIRATES			
DUBAI			
Marriott Harbour Hotel Dubai	647	XS'4	SVN (Salto Virtual Network)
Five Palm Jumeirah Dubai	1800	AElement	Wireless
Double Tree by Hilton Al Barsha Dubai	175	AElement	Wireless
Grand Ghaya Hotel Dubai – Al Shiba	800	AElement	Wireless
Armada Dubai	256	AElement	SVN (Salto Virtual Network)
Grand Hyatt Dubai	659	AElement	Wireless - w/Hyatt Mobility
Hampton by Hilton Al Barsha Dubai	154 + BOH	AElement	SVN (Salto Virtual Network) w/Hilton Digital Key
Arjaan By Rotana – Dubai Media City	192	XS'4	SVN (Salto Virtual Network)
Golden Tulip Al Thanyah	335	AElement	BAS Integration
Hampton by Hilton Qusais	420 + BOH	AElement	SVN (Salto Virtual Network) w/Hilton Digital Key
Five JVC	410	AElement	Wireless
Raintree Rolla Hotel	135	XS'4	SVN (Salto Virtual Network)
S Hotel- Dubai	245 + BOH	AElement Fusion	SVN (Salto Virtual Network)
Hilton Garden Inn Al Jaddaf	326 + BOH	XS'4	SVN (Salto Virtual Network) w/Hilton Digital Key
Carlton Hotel Dubai	311	XS'4	SVN (Salto Virtual Network)
ABU DHABI			
Rawda Rotana Abu Dhabi	114	XS'4	SVN (Salto Virtual Network)
Grand Continental Abu Dhabi	161	XS'4	SVN (Salto Virtual Network)
Howard Johnson Hotel Abu Dhabi	79	XS'4	SVN (Salto Virtual Network)
Centro Al Manhal Hotel Abu Dhabi	248	AElement	SVN (Salto Virtual Network)
Gravity Hotel Abu Dhabi	63	AElement	SVN (Salto Virtual Network)
Pheonix Abu Dhabi	120	XS'4	SVN (Salto Virtual Network)
AJMAN			
Ramada Ajman	525	XS'4	SVN (Salto Virtual Network)
RAS AL KHAIMAH			
Hilton Ras Al Khaimah	185	XS'4	SVN (Salto Virtual Network)
Hilton Garden Inn Ras Al Khaimah	200	XS'4	SVN (Salto Virtual Network)
HATTA			
Hatta Hotel	67	XS'4	Wireless

PROJECT NAME	DOORS	ACCESS CONTROL TYPE	TECHNOLOGY
KINGDOM OF SAUDI ARABIA			
Mercure Hotel, Jeddah	81	XS'4	SVN (Salto Virtual Network)
Sun Set Beach, Dammam	37	XS'4	SVN (Salto Virtual Network)
Hyatt Riyadh	320	AElement	Wireless
BAHRAIN			
Tulip Inn, Hawar	65	XS'4	SVN (Salto Virtual Network)
Dragon Hotel (Amwaj)	50	AElement	SVN (Salto Virtual Network)
Crystal Height, Manama	148	AElement	SVN (Salto Virtual Network)
Tulip Inn, Manama	76	XS'4	SVN (Salto Virtual Network)
K Hotel, Manama	236	XS'4	SVN (Salto Virtual Network)
Dusit D2	195	XS'4 Mini + BOH	SVN (Salto Virtual Network)
Amani Hotel	90	AElement + BOH	SVN (Salto Virtual Network)
JORDAN			
Golden Tulip Airport Amman	310	XS'4	SVN (Salto Virtual Network)
KUWAIT			
Bayan Palace	1063	XS'4	SVN (Salto Virtual Network)
Hilton Garden Inn Avenue Kuwait	390	AElement Fusion	Wireless
QATAR			
Al Bidda Boutique Hotel Souq Wakif	32	XS'4	SVN (Salto Virtual Network)
Al Jasra Boutique Hotel Souq Wakif	26	XS'4	SVN (Salto Virtual Network)
Al Mirqab Boutique Hotel Souq Wakif	37	XS'4	SVN (Salto Virtual Network)
Al Najada Boutique Hotel Souq Wakif	25	XS'4	SVN (Salto Virtual Network)
Al Jomrok Hotel Souq Wakif - Tivoli	15	XS'4	SVN (Salto Virtual Network)
Arumaila Boutique Hotel Souq Wakif	19	XS'4	SVN (Salto Virtual Network)
Bismillah Doha Suites Souq Wakif	2	XS'4	SVN (Salto Virtual Network)
Musheireb Boutique Hotel Souq Wakif	14	XS'4	SVN (Salto Virtual Network)
Najd Boutique Hotel Souq Wakif	17	XS'4	SVN (Salto Virtual Network)
The Torch Hotel	175	AElement	Wireless
Dusit Doha	230	AElement	Wireless
Hilton Garden Inn Doha	210	AElement	SVN (Salto Virtual Network)
Ain Al-Qaoud Hotel & Gold Bazaar	265	XS'4	Wireless
Al Jaber Twin Tower Lusial	198	AElement	BLE Room Level Integration with GRMS
Al Darwish Tower - Hotel Apartments	163	XS'4	SVN (Salto Virtual Network)
OMAN			
Al Nahdah Health Resort	100	XS'4	SVN (Salto Virtual Network)
Golden Tulip Seeb	170	XS'4	SVN (Salto Virtual Network)
Royal Tulip	260 + BOH	XS'4 Mini	Wireless
Hilton Garden Inn	236 + BOH	XS'4	SVN (Salto Virtual Network)
Kempinski The Wave	BOH 400	Wall Readers	Online
The Citadel	96	XS'4 Mini	SVN (Salto Virtual Network)

PROJECT NAME	DOORS	ACCESS CONTROL TYPE	TECHNOLOGY
LEBANON			
Trablous Hotel	37	XS'4	SVN (Salto Virtual Network)
Savoy Hotel	102	AEElement	Wireless
Serenada Beirut	67	XS'4	SVN (Salto Virtual Network)
Hilton Beirut Habtoor Grand	158	XS'4	Wireless
EGYPT			
Movenpick Villas Aswan	12	XS'4	SVN (Salto Virtual Network)
Coral Beach Rotana Hurghada	180	XS'4	SVN (Salto Virtual Network)
Al Alamein Phase 3	1300 FOH + 450 BOH	AEElement + Wall Readers	Wireless + Online
IRAN			
Fairmont - Iran Mall	359	AEElement Fusion	Wireless
SYRIA			
Ebla Cham Palace Hotel Damascus	482	XS'4	SVN (Salto Virtual Network)
INDIA			
Auberge Pondicherry	144	XS'4	SVN (Salto Virtual Network)
Ashoka Hotel Delhi	75	XS'4	SVN (Salto Virtual Network)
Lodhi Hotel Delhi	190	XS'4	SVN (Salto Virtual Network)
Le Meridien Cochin	134	XS'4	SVN (Salto Virtual Network)
SRI LANKA			
Hilton Colombo	380	XS'4	SVN (Salto Virtual Network)
Hotel RIU Sri Lanka	500	AEElement	SVN (Salto Virtual Network)
MALDIVES			
Cheval Blanc	67	Wall Readers	Online
RIU	410	XS'4	SVN (Salto Virtual Network)
SEYCHELLES			
Four Seasons Mahe	187	XS'4	SVN (Salto Virtual Network)
The Sunset Beach Hotel Mahe	37	XS'4	SVN (Salto Virtual Network)
Coral Strand	165	XS'4	SVN (Salto Virtual Network)
Six Senses	110	AEElement	SVN (Salto Virtual Network)
MAURITIUS			
Centa Resort	20	XS'4	Wireless
NIGERIA			
Four Points Sheraton Lagos	255	XS'4	SVN (Salto Virtual Network)
CSKR Hotel	19	XS'4	SVN (Salto Virtual Network)
The Gates Luxury Hotel Apartments	19	AEElement	SVN (Salto Virtual Network)
Blue Springs, Lagos	30	XS'4	SVN (Salto Virtual Network)
Lilygate Hotel, Lagos	65	XS'4	SVN (Salto Virtual Network)
Landmark Hotel	22	AEElement	Wireless + Energy Saving Device
Babcock Guest House	68	XS'4	Wireless
Wells Carlton Apartment, Lagos	165	GEO.List Access.Panic Bar	SVN (Salto Virtual Network)
Genesis Place	19	AEElement	SVN (Salto Virtual Network)
Randolph Boutique	11	XS'4	SVN (Salto Virtual Network)
Shoregate Hotel - Lagos	70	AEElement	SVN (Salto Virtual Network)
Ewet Hotels	110	XS'4 Mini	SVN (Salto Virtual Network)
Babcock University Guest House	7	Aelement	SVN (Salto Virtual Network)
Wells Carlton Suites	138	XS'4. Lift Access	SVN + Online

PROJECT NAME	DOORS	ACCESS CONTROL TYPE	TECHNOLOGY
GHANA			
Capital View Hotel Koforidua	50	XS'4	SVN (Salto Virtual Network)
DEMOCRATIC REPUBLIC OF CONGO			
Pullman Kinshasa	190	AElement.Lift Access.BOH	SVN (Salto Virtual Network)
BOTSWANA			
Hilton Garden Inn Gaborone	155	XS4 Original	SVN + Online + Wireless Energy Saving Device
KENYA			
Karen Country Club, Nairobi	30	AElement	SVN + Online
Kingfisher Apartments	60	Geo	SVN + Online
Miriam House	31	XS'4	SALTO KS
Nova Apartments	17	XS'4 + IQ	SALTO KS
NAMIBIA			
Hilton Garden Inn Windhoek	203	XS'4 Original	SVN + Online + Wireless Energy Saving Device
Klein Windhoek Executive Suites	50	XS'4 Mini	SVN + Online
SOUTH AFRICA			
Standard Bank Learning Centre and Hotel Johannesburg	160	XS4 Original iClass	SVN (Salto Virtual Network)
Houghton Estate Apartments Johannesburg	20	Geo	SVN (Salto Virtual Network)
Houghton Estate Hotel Johannesburg	75	AElement Fusion	SVN + Online
Saxon Johannesburg	80	AElement	Wireless
Lanzarac Hotel Cape Town Historic Site	40	AElement	SVN (Salto Virtual Network)
Macdougall Guest House Kimberley	20	AElement	Wireless + Energy Saving Device
CAG Serviced Apartments	45	Geo + XS'4	SVN (Salto Virtual Network)
Steenberg Hotel Cape Town Historic Site	50	Geo	SVN + Online
Schulphoek Guest House	35	XS'4 One	SVN + Online
Beach Hotel Port Elizabeth	60	XS'4	SVN + Online
Leonardo by Legacy Group	385	AElement Fusion	Wireless + Online
Hilton Garden Inn Umhlanga	230	AElement Fusion	SVN + Online
Welgevonden Game Reserve	10	XS'4 One	SVN + Energy Saving Device
Nieu Kaanan House	15	XS'4 Mini	SVN + Online
Home Suite Hotel - 50 Bristol	33	XS'4 One	SVN + Online
Kwa Maritane Hotel	90	XS'4 One	SVN (Salto Virtual Network)
The Rasmus Hotel Pretoria	10	XS'4 Mini	SVN (Salto Virtual Network)
12 Neethling Guest House Stellenbosch	21	Geo + XS'4	SaltoKS
Woodstock Quarter Apartments	34	Geo, XS'4 One + Mini	Wireless + Online
TANZANIA			
Melia Serengeti	80	AElement	SVN + Online
Gran Melia Arusha	212	AElement Fusion	SVN + Wireless
Hotel Verde Zanzibar	130	AElement	SVN + Online